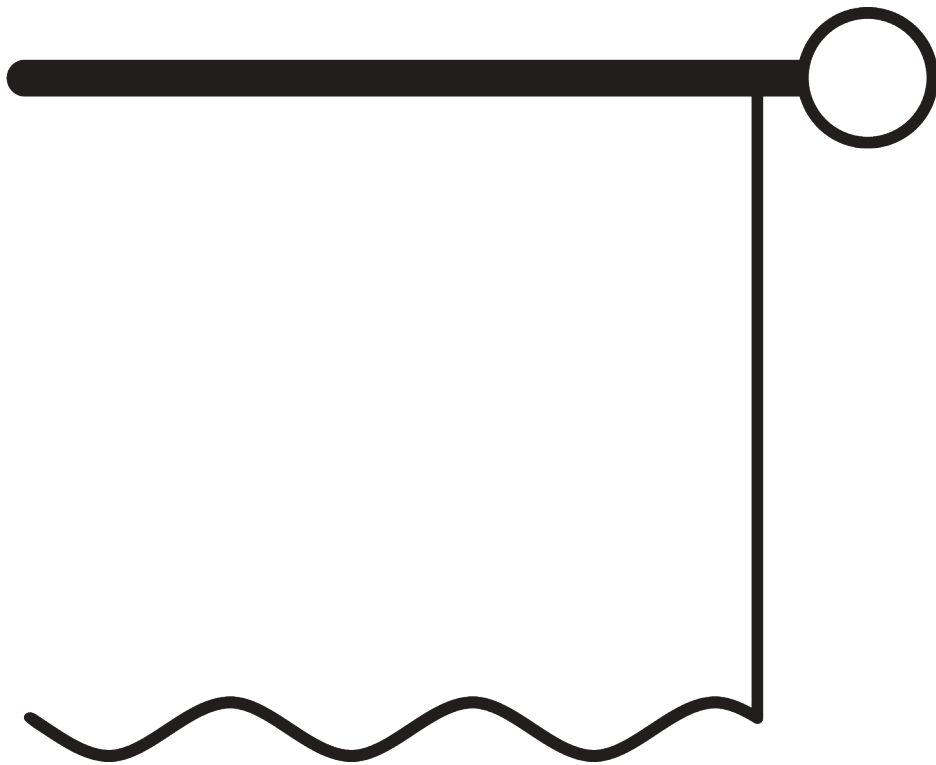


# METROPOLE



# GENERAL NOTES

## **Dimensions**

- Measurements are in mm except where indicated.
- Max. kg relates to fabric incl. accessories.
- Stack size depends on curtain make-up and fabric thickness.
- Distance between gliders max. 80 mm / distance between rollers max. 100 mm.
- Recommended distance floor / fabric: 20 mm.
- In order to determine system height (B), the smallest room height must be taken into account.






















## **Fitting**

- Installation by qualified fitter only.
- Number of brackets and fitting positions / fixing points vary depending on fitting surface, system weight, fabric make-up, screw / fixing type and obstacles.
- Qualified fitter must use appropriate screws / fixings for each situation.
- Profile lip if applicable to be installed to room side.

## **Child Safety**

- All relevant Silent Gliss systems correspond to child safety EN 13120.
- All parties involved must comply with EN 13120.

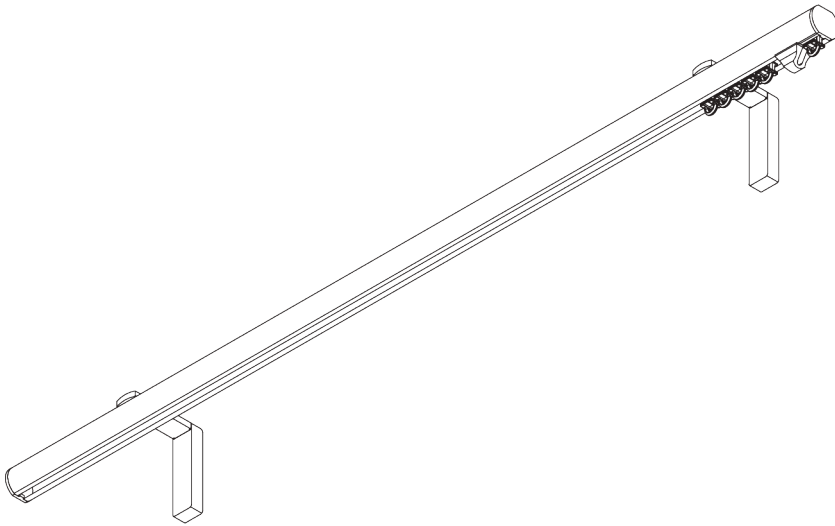
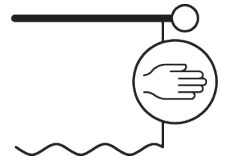
# APPLICATION CHART

<u>PAGE</u>	<u>SYSTEM</u>	<u>OPERATION</u>	<u>DIMENSION</u>	<u>DESIGN</u>	<u>WAVE</u>	← max. →	kg <sub>max.</sub>
5	<b>SG 7600</b>		S				
15	<b>SG 7605</b>		S - M				
25	<b>SG 7610</b>		S - M				
35	<b>SG 7620</b>		M - L				
45	<b>SG 7630</b>		S - M			6 m	13 kg
57	<b>SG 7640</b>		M - L			6 m	13 kg
69	<b>SG 7650</b>		S - L			6 m	45 kg



# SG 7600

---



## PRODUCT INFORMATION

- **Operation:** hand
- **Range:** S
- **Fitting:** ceiling, wall
- **Colours:** white RAL 9016, various colours / finishes
- **Fabrics:** refer to Silent Gliss fabric collection

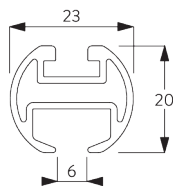
### **Features:**

- 2-component (2C) glider technology
- Wave (2C)
- Matching endcaps and brackets / bracket covers
- Range of decorative finials
- Bendable

# SYSTEM SPECIFICATIONS

## A. PROFILE

Profile and bending information

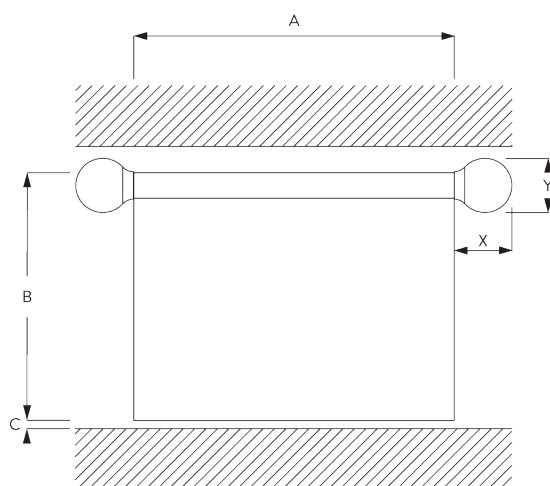


SG 11606

Profile

Radius:  
✓ 15 cm, 20 cm, >25 cm

## B. HOW TO MEASURE



A: System width without finials


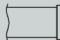







B: System height

C: Distance between floor and fabric

X: Finial width

Y: Finial height

## Finial Measurements

		23 mm	
		X	Y
	SG 11602	2	23
	SG 11621	8	27
	SG 11622	14	38
	SG 11723	53	23
	SG 11724	55	40
	SG 11726	49	46
	SG 11727	89	37
	SG 11728	20	69
	SG 11729	18	46

## C. SPECIFICATION

### TEXT

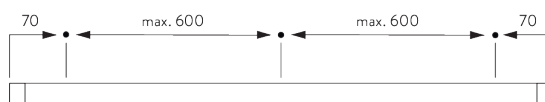
**Silent Gliss SG 7600 'Metropole' hand operated curtain track system.** Comprises 23 mm round aluminium profile SG 11606 supplied made to measure with gliders SG 11300 at 14/m, 2no. end stops SG 6065 and 2 no. flush end covers SG 11602. Straight poles supplied as standard with wall 'face' fix Smart Fix brackets SG 11206 at max. 600 mm centres. Optional wall fix brackets SG 11207-11208 / SG 11216-11218 / SG 11209 / SG 11472 / Fillet bracket SG 11669. Bent systems for wall 'face' fix supplied as standard with adjustable Smart Fix bracket SG 11209. Ceiling 'top' fix with plate SG 6151 / bracket SG 6175 / SG 11668 at max. 600 mm centres. Finished in White, Matt White, Ecru, Silver Anodised, Gunmetal, Charcoal and Chrome Effect. A range of decorative finials are available (limited range for Silver Anodised and Chrome). Silent Gliss Wave option is available using 60mm glider cord SG 11303 / 80 mm glider cord SG 11302 / 80 mm roller glider cord SG 6099.

# FITTING

## A. FITTING INFORMATION

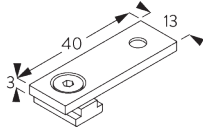
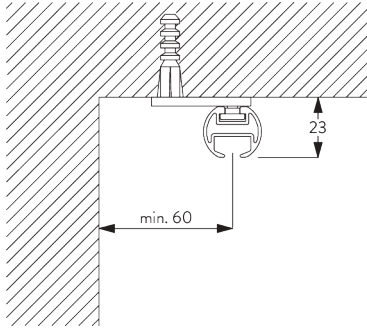
### Fixing points

For detailed fitting information, visit the [Silent Gliss website](#).



## B. CEILING FITTING

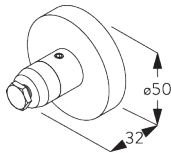
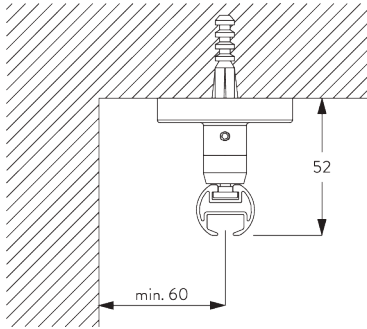
### Support SG 6151



**SG 6151**

*Ceiling support set 3 mm*

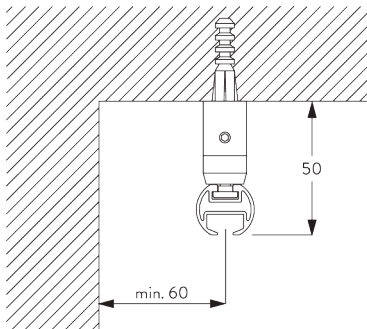
### Top fix bracket SG 11668



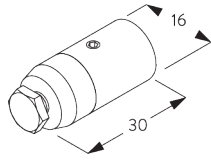
**SG 11668**

*Top fix bracket*

### Mini hanger SG 6175





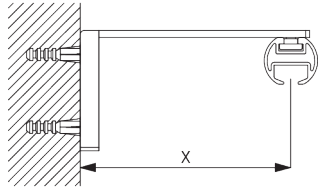


**SG 6175**

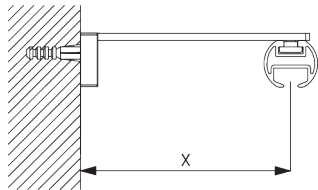
Mini hanger

## C. WALL FITTING

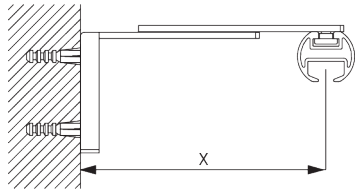
### Smart Fix



**Smart Fix with slot SG 11206 - SG 11208 and SG 6141:**  
Screw SG 6783 (M4x10) needed.

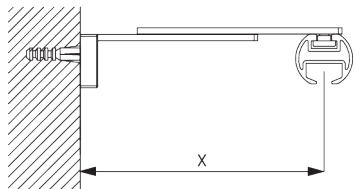


**Square Smart Fix with slot SG 11216 - SG 11218 and SG 6141:**  
Screw SG 6783 (M4x10) needed.



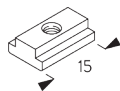
**Adjustable Smart Fix SG 11209 and SG 6141:**  
Screw SG 6784 (M4x8) needed.

Note: all bent Metropole systems are supplied with adjustable bracket SG 11209 as standard.



**Adjustable Square Smart Fix SG 11472 and SG 6141:**  
Screw SG 6784 (M4x8) needed.

Smart Fix	X mm
SG 11206 / SG 11216	51
SG 11207 / SG 11217	71
SG 11208 / SG 11218	91
SG 11209 / SG 11472	80-100



**SG 6141**

Clamping piece



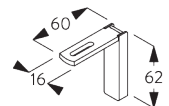
**SG 6783**

Hexagon socket countersunk screw M4x10 mm



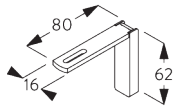
**SG 6784**

Hexagon socket countersunk screw M4x8 mm



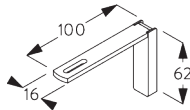
**SG 11206**

Smart Fix with slot 60 mm



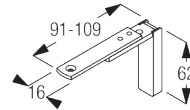
**SG 11207**

Smart Fix with slot 80 mm



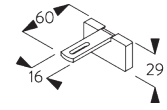
**SG 11208**

Smart Fix with slot 100 mm



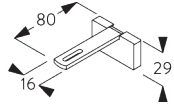
**SG 11209**

Adjustable Smart Fix



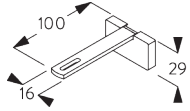
**SG 11216**

Square Smart Fix with slot 60 mm



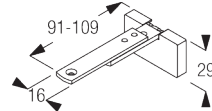
**SG 11217**

Square Smart Fix with slot 80 mm



**SG 11218**

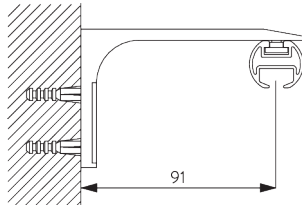
Square Smart Fix with slot 100 mm



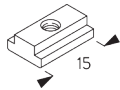
**SG 11472**

Adjustable Square Smart Fix

## Fillet Bracket SG 11669



Screw SG 6784 (M4x8) needed.  
Recommended for straight systems only.



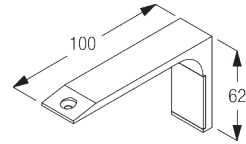
**SG 6141**

Clamping piece



**SG 6784**

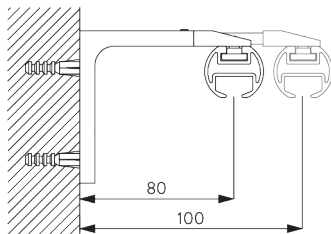
Hexagon socket countersunk screw M4x8 mm



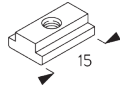
**SG 11669**

Fillet bracket

## Maxi adjustable bracket SG 20334



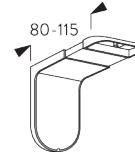
Screw SG 6783 (M4x10) needed.



**SG 6141**  
Clamping piece



**SG 6783**  
Hexagon socket countersunk  
screw M4x10 mm



**SG 20334**  
Maxi adjustable bracket

## DESIGN & SYSTEM OPTIONS

### A. ENDCAPS



SG 11602



SG 11621



SG 11622

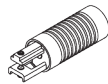
Endcaps:

- SG 11602 Flush endcap 23 mm
- SG 11621 Stud endcap 23 mm
- SG 11622 Design endcap 23 mm

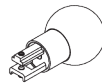
Please note:

- Without finials, poles are supplied as standard with flush fitting endcaps SG 11602 (left).
- Alternatively, stud endcaps SG 11621 can be selected at no additional cost.

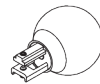
### B. FINIALS



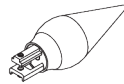
SG 11723



SG 11724



SG 11726



SG 11727



SG 11728

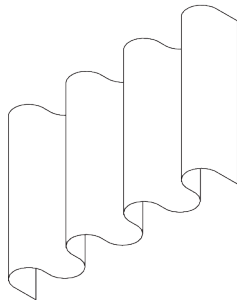


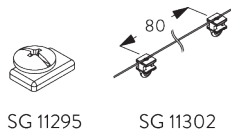
SG 11729

Finials are decorative elements that fit on at the end of the pole:

- SG 11723 Groove cylinder 23 mm
- SG 11724 Glass ball 23 mm
- SG 11726 Ball end 23 mm
- SG 11727 Spear 23 mm
- SG 11728 Ellipse 23 mm
- SG 11729 Taper 23 mm

### C. WAVE



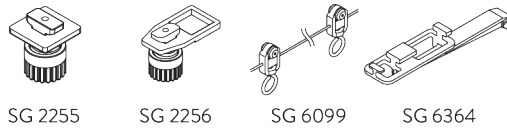


SG 11295

SG 11302

Standard components:

- SG 11295 End stop
- SG 11302 Wave 2C glider cord 80 mm



SG 2255

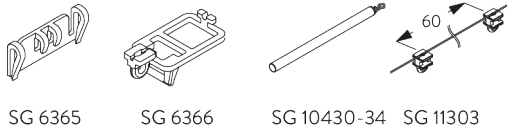
SG 2256

SG 6099

SG 6364

Optional components (min. Radius >25 cm):

- SG 2255 Brake
- SG 2256 Brake
- SG 6099 Wave roller cord 80 mm
- SG 6364 Wave extension
- SG 6365 Wave hanger
- SG 6366 Wave carrier for draw rod
- SG 10430-34 Draw rod
- SG 11303 Wave 2C glider cord 60 mm



SG 6365

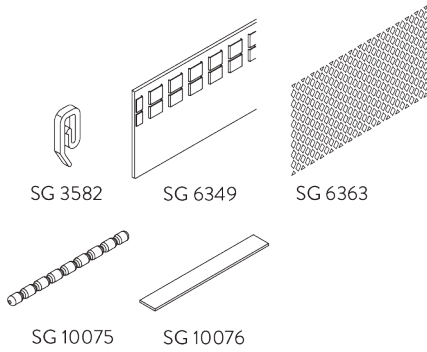
SG 6366

SG 10430-34

SG 11303

Curtain components:

- SG 3582 Hook
- SG 6349 Wave curtain tape
- SG 6363 Wave top hemming tape
- SG 10075 Lead weight 50 gr/m
- SG 10076 Fabric weigh



SG 3582

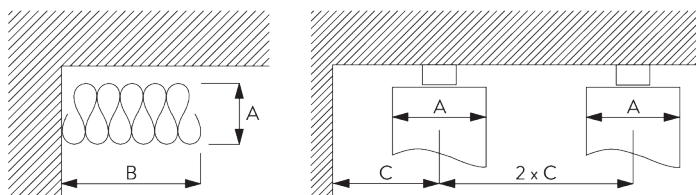
SG 6349

SG 6363

SG 10075

SG 10076

Wave stack depth - 2C glider cord (standard components)



A = Stack depth  
B = Stack size  
C = Min. distance


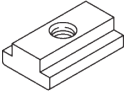
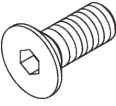
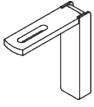

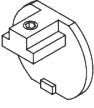

2C Glider cord SG 11302	Pockets between hooks	Approx. curtain fullness	Stack depth A	Stack size B*	Min distance C
80	6	~2.1	140	180 per metre of track	90
80	7	~2.3	160	180 per metre of track	100

2C Glider cord SG 11303	Pockets between hooks	Approx. curtain fullness	Stack depth A	Stack size B*	Min distance C
60	4	~2.1	100	230 per metre of track	70
60	5	~2.3	120	230 per metre of track	80

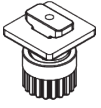
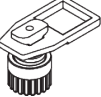
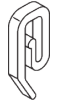
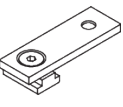
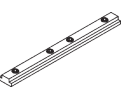
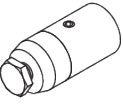


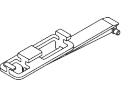
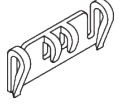
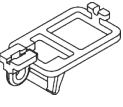
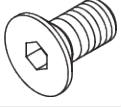

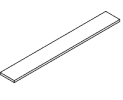
\*Stack size B when using optional extension arm SG 6364 increases by 95 mm per curtain stack!


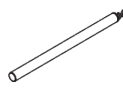
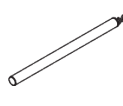
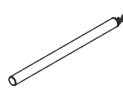
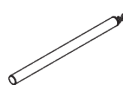
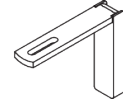
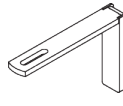
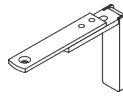
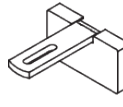
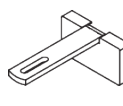
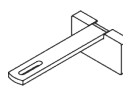
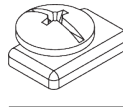

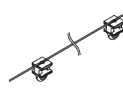
# PARTS

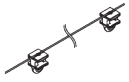
## A. STANDARD PARTS

	<b>SG 6065</b> End stop
	<b>SG 6141</b> Clamping piece
	<b>SG 6783</b> Hexagon socket countersunk screw M4x10 mm
	<b>SG 11206</b> Smart Fix with slot 60 mm
	<b>SG 11300</b> 2C glider
	<b>SG 11602</b> Flush end cap 23 mm
	<b>SG 11606</b> Profile

## B. OPTIONAL PARTS

	<b>SG 2255</b> Brake
	<b>SG 2256</b> Brake
	<b>SG 3582</b> Hook
	<b>SG 6151</b> Ceiling support set 3 mm
	<b>SG 6173</b> Connection bridge
	<b>SG 6175</b> Mini hanger
	<b>SG 6349</b> Wave curtain tape
	<b>SG 6363</b> Wave top hemming tape
	<b>SG 6364</b> Wave extension
	<b>SG 6365</b> Wave hanger
	<b>SG 6366</b> Wave carrier for draw rod
	<b>SG 6784</b> Hexagon socket countersunk screw M4x8 mm
	<b>SG 10075</b> Lead weight 50 g/m
	<b>SG 10076</b> Fabric weight

	<b>SG 10430</b> Draw rod 50 cm
	<b>SG 10431</b> Draw rod 75 cm
	<b>SG 10432</b> Draw rod 100 cm
	<b>SG 10433</b> Draw rod 125 cm
	<b>SG 10434</b> Draw rod 150 cm
	<b>SG 11207</b> Smart Fix with slot 80 mm
	<b>SG 11208</b> Smart Fix with slot 100 mm
	<b>SG 11209</b> Adjustable Smart Fix
	<b>SG 11216</b> Square Smart Fix with slot 60 mm
	<b>SG 11217</b> Square Smart Fix with slot 80 mm
	<b>SG 11218</b> Square Smart Fix with slot 100 mm
	<b>SG 11295</b> End stop
	<b>SG 11301</b> 2C glider on strip
	<b>SG 11302</b> Wave 2C glider cord 80 mm

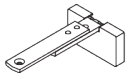


---

**SG 11303**

Wave 2C glider cord 60 mm

---



---

**SG 11472**

Adjustable Square Smart Fix

---



---

**SG 11621**

Stud endcap 23 mm

---

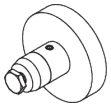


---

**SG 11622**

Design endcap 23 mm

---

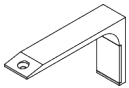


---

**SG 11668**

Top fix bracket

---

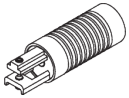


---

**SG 11669**

Fillet bracket

---

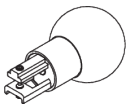


---

**SG 11723**

Groove cylinder 23 mm

---

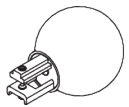


---

**SG 11724**

Glass ball 23 mm

---

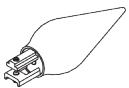


---

**SG 11726**

Ball end 23 mm

---

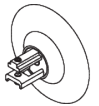


---

**SG 11727**

Spear 23 mm

---

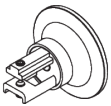


---

**SG 11728**

Ellipse 23 mm

---



---

**SG 11729**

Taper 23 mm

---



---

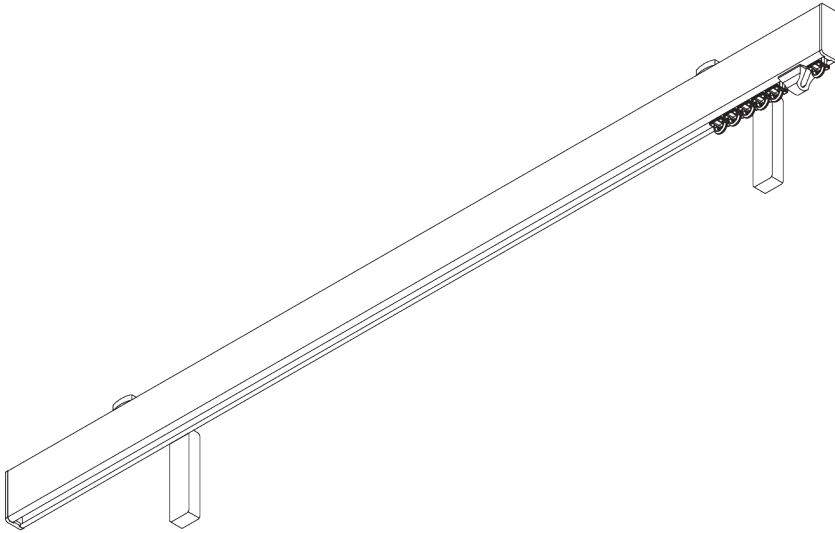
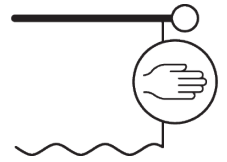
**SG 20334**

Maxi adjustable bracket

---

# SG 7605

---



## PRODUCT INFORMATION

- **Operation:** hand
- **Range:** S - M
- **Fitting:** ceiling, wall
- **Colours:** white RAL 9016, various colours / finishes
- **Fabrics:** refer to Silent Gliss fabric collection

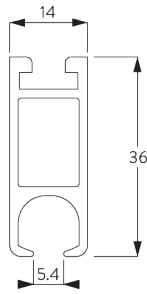
### **Features:**

- 2-component (2C) glider technology
- Wave (2C)
- Matching endcaps and brackets / bracket covers
- Bendable

# SYSTEM SPECIFICATIONS

## A. PROFILE

Profile and bending information

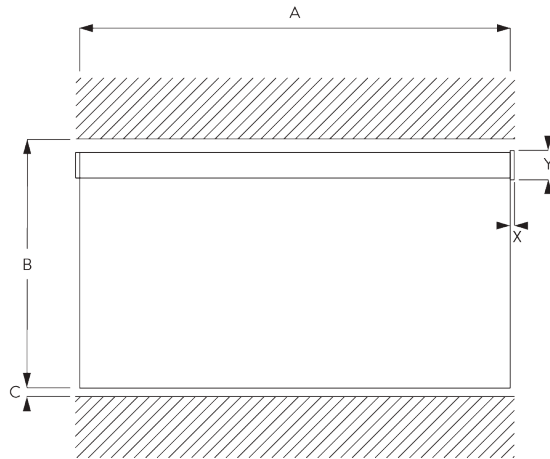


**SG 6101**

Profile

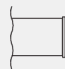

Radius:  
20 cm, >25 cm

## B. HOW TO MEASURE



A: System width without endcaps  
B: System height  
C: Distance between floor and fabric  
X: Endcap width  
Y: Endcap height

## Endcap Measurements

		36 mm	
		X	Y
	SG 11601	2	36
	SG 11611	5	40

## C. SPECIFICATION TEXT

**Silent Gliss SG 7605 'Metropole' hand operated curtain track system.** Comprises 36mm h x 14 mm d aluminium profile SG 6100 supplied made to measure with 2C gliders SG 11300 at 14/m, 2 end flush covers SG 11601 and 2 no. end stops SG 6065. Straight poles supplied as standard with wall 'face' fix Smart Fix brackets SG 11206 at max. 600 mm centres. Optional wall fix brackets SG 11207-11208 / SG 11216-11218 / SG 11209 / SG 11472 / Fillet bracket SG 11669. Bent systems for wall 'face' fix supplied as standard with adjustable Smart Fix bracket SG 11209. Ceiling 'top' fix with plate SG 6151 / bracket SG 6175 / SG 11668 at max. 600 mm centres. Finished in Antique Bronze, Gunmetal, Black, Charcoal, Anodic Grey, Slate Grey, Matt White, White, Chrome Effect or Silver Anodised. Matching Flush and Stud endcaps available. Silent Gliss Wave option is available using 60mm glider cord SG 11303/80 mm glider cord SG 11302 / 80 mm roller glider cord SG 6099.

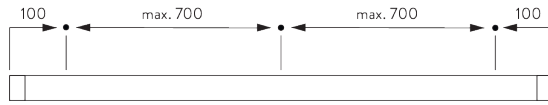


# FITTING

## A. FITTING INFORMATION

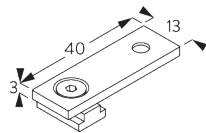
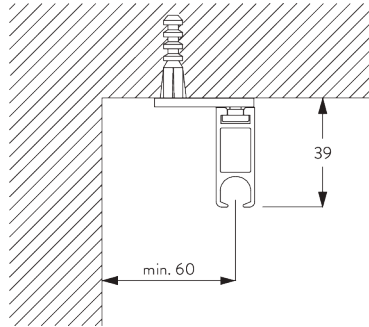
For detailed fitting information, visit the Silent Gliss website.

### Fixing points



## B. CEILING FITTING

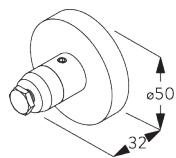
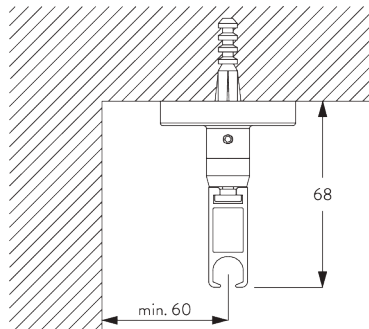
### Support SG 6151



#### SG 6151

Ceiling support set 3 mm

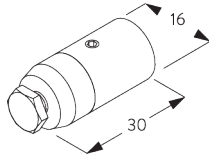
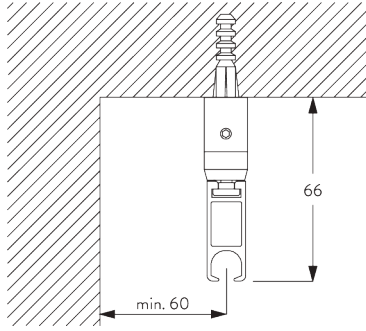
### Top fix bracket SG 11668



#### SG 11668

Top fix bracket

## Mini hanger SG 6175

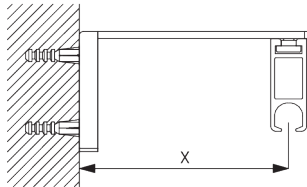


### SG 6175

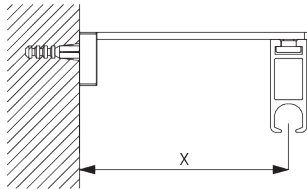
Mini hanger

## C. WALL FITTING

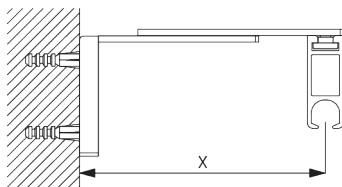
### Smart Fix



**Smart Fix with slot SG 11206 - SG 11208 and SG 6141:**  
Screw SG 6783 (M4x10) needed.



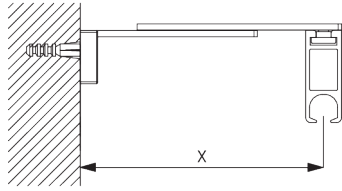
**Square Smart Fix with slot SG 11216 - SG 11218 and SG 6141:**  
Screw SG 6783 (M4x10) needed.



**Adjustable Smart Fix SG 11209 and SG 6141:**  
Screw SG 6784 (M4x8) needed.

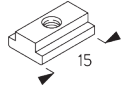
Note: all bent Metropole systems are supplied with adjustable bracket SG 11209 as standard.

Smart Fix	X mm
SG 11206 / SG 11216	51
SG 11207 / SG 11217	71
SG 11208 / SG 11218	91
SG 11209 / SG 11472	80-100



**Adjustable Square Smart Fix SG 11472 and SG 6141:**

Screw SG 6784 (M4x8) needed.



**SG 6141**

Clamping piece



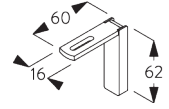
**SG 6783**

Hexagon socket countersunk screw M4x10 mm



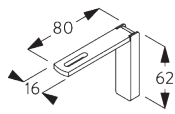
**SG 6784**

Hexagon socket countersunk screw M4x8 mm



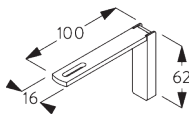
**SG 11206**

Smart Fix with slot 60 mm



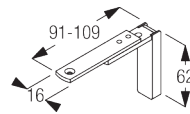
**SG 11207**

Smart Fix with slot 80 mm



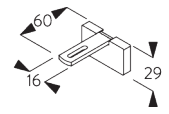
**SG 11208**

Smart Fix with slot 100 mm



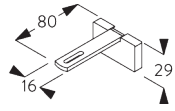
**SG 11209**

Adjustable Smart Fix



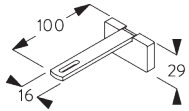
**SG 11216**

Square Smart Fix with slot 60 mm



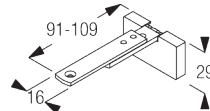
**SG 11217**

Square Smart Fix with slot 80 mm



**SG 11218**

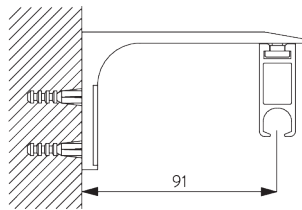
Square Smart Fix with slot 100 mm



**SG 11472**

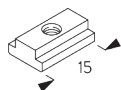
Adjustable Square Smart Fix

**Fillet Bracket  
SG 11669**



Screw SG 6784 (M4x8) needed.

Recommended for straight systems only.



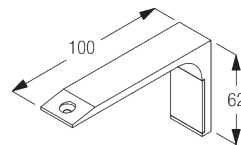
**SG 6141**

Clamping piece



**SG 6784**

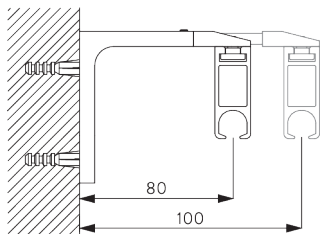
Hexagon socket countersunk screw M4x8 mm



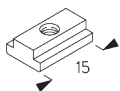
**SG 11669**

Fillet bracket

**Maxi adjustable  
bracket SG 20334**



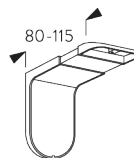
Screw SG 6783 (M4x10) needed.



**SG 6141**  
Clamping piece



**SG 6783**  
Hexagon socket countersunk  
screw M4x10 mm



**SG 20334**  
Maxi adjustable bracket

# DESIGN & SYSTEM OPTIONS

## A. ENDCAPS



SG 11601

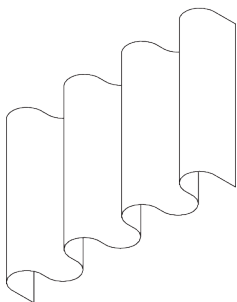


SG 11611

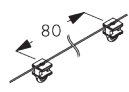
Please note:

- Poles are supplied as standard with flush fitting endcaps SG 11601 (left).
- Alternatively, stud endcaps SG 11611 (right) can be selected at no additional cost.

## B. WAVE



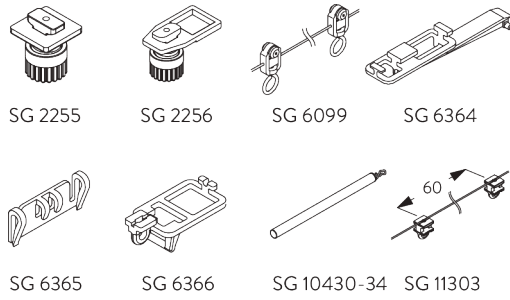
SG 11295



SG 11302

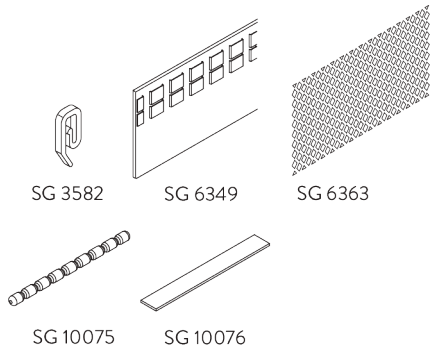
Standard components:

- SG 11295 End stop
- SG 11302 Wave 2C glider cord 80 mm



Optional components (min. Radius >25 cm):

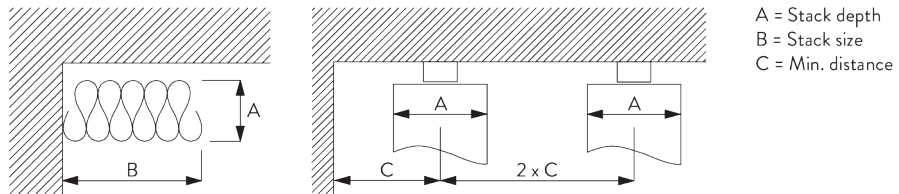
- SG 2255 Brake
- SG 2256 Brake
- SG 6099 Wave roller cord 80 mm
- SG 6364 Wave extension
- SG 6365 Wave hanger
- SG 6366 Wave carrier for draw rod
- SG 10430-34 Draw rod
- SG 11303 Wave 2C glider cord 60 mm



Curtain components:

- SG 3582 Hook
- SG 6349 Wave curtain tape
- SG 6363 Wave top hemming tape
- SG 10075 Lead weight 50 gr/m
- SG 10076 Fabric weigh

Wave stack depth - 2C glider cord (standard components)



A = Stack depth  
 B = Stack size  
 C = Min. distance

2C Glider cord SG 11302	Pockets between hooks	Approx. curtain fullness	Stack depth A	Stack size B*	Min distance C
80	6	~2.1	140	180 per metre of track	90
80	7	~2.3	160	180 per metre of track	100

2C Glider cord SG 11303	Pockets between hooks	Approx. curtain fullness	Stack depth A	Stack size B*	Min distance C
60	4	~2.1	100	230 per metre of track	70
60	5	~2.3	120	230 per metre of track	80

\*Stack size B when using optional extension arm SG 6364 increases by 95 mm per curtain stack!

# PARTS

## A. STANDARD PARTS



**SG 6065**

End stop



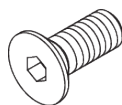
**SG 6101**

Profile



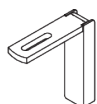
**SG 6141**

Clamping piece



**SG 6783**

Hexagon socket countersunk screw  
M4x10 mm



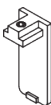
**SG 11206**

Smart Fix with slot 60 mm



**SG 11300**

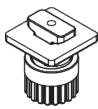
2C glider



**SG 11601**

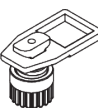
Flush end cap 36 mm

## B. OPTIONAL PARTS



**SG 2255**

Brake



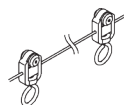
**SG 2256**

Brake



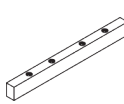
**SG 3582**

Hook



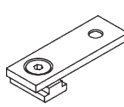
**SG 6099**

Wave roller cord 80 mm



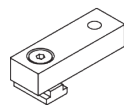
**SG 6112**

Connection bridge



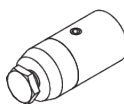
**SG 6151**

Ceiling support set 3 mm



**SG 6152**

Ceiling support set 9 mm



**SG 6175**

Mini hanger



**SG 6283**

Roller



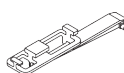
**SG 6349**

Wave curtain tape



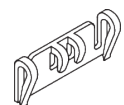
**SG 6363**

Wave top hemming tape



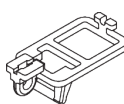
**SG 6364**

Wave extension



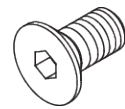
**SG 6365**

Wave hanger



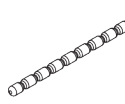
**SG 6366**

Wave carrier for draw rod



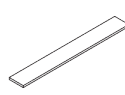
**SG 6784**

Hexagon socket countersunk screw  
M4x8 mm



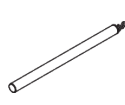
**SG 10075**

Lead weight 50 g/m



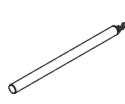
**SG 10076**

Fabric weight



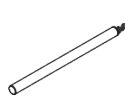
**SG 10430**

Draw rod 50 cm



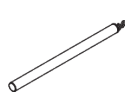
**SG 10431**

Draw rod 75 cm



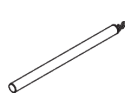
**SG 10432**

Draw rod 100 cm



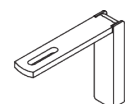
**SG 10433**

Draw rod 125 cm



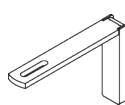
**SG 10434**

Draw rod 150 cm



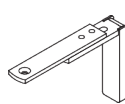
**SG 11207**

Smart Fix with slot 80 mm



**SG 11208**

Smart Fix with slot 100 mm



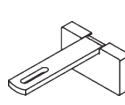
**SG 11209**

Adjustable Smart Fix



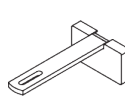
**SG 11216**

Square Smart Fix with slot 60 mm



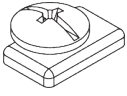
**SG 11217**

Square Smart Fix with slot 80 mm



**SG 11218**

Square Smart Fix with slot 100 mm



---

**SG 11295**

*End stop*

---



---

**SG 11301**

*2C glider on strip*

---

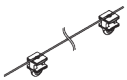


---

**SG 11302**

*Wave 2C glider cord 80 mm*

---

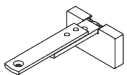


---

**SG 11303**

*Wave 2C glider cord 60 mm*

---

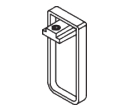


---

**SG 11472**

*Adjustable Square Smart Fix*

---

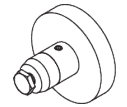


---

**SG 11611**

*Stud endcap 36 mm*

---

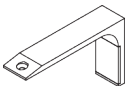


---

**SG 11668**

*Top fix bracket*

---



---

**SG 11669**

*Fillet bracket*

---



---

**SG 20334**

*Maxi adjustable bracket*

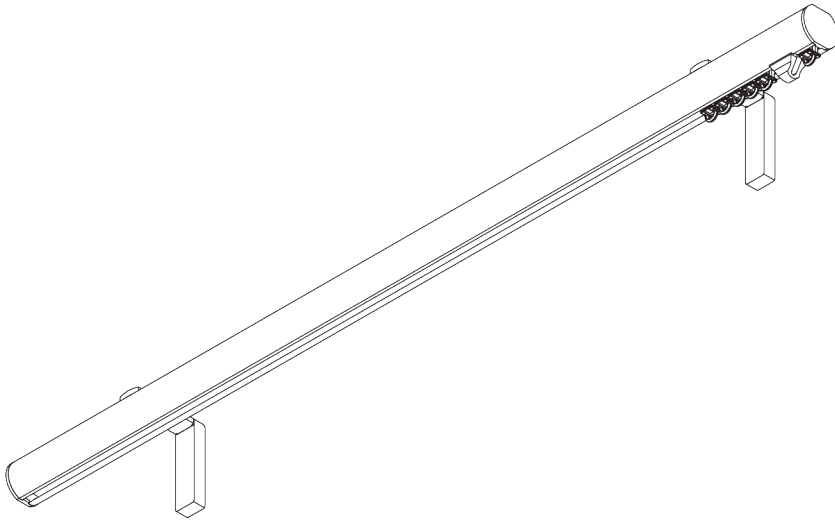
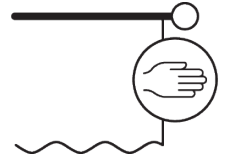
---





# SG 7610

---



## PRODUCT INFORMATION

- **Operation:** hand
- **Range:** S - M
- **Fitting:** ceiling, wall
- **Colours:** white RAL 9016, various colours / finishes
- **Fabrics:** refer to Silent Gliss fabric collection

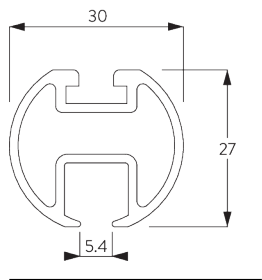
### **Features:**

- 2-component (2C) glider technology
- Wave (2C)
- Matching endcaps and brackets / bracket covers
- Range of decorative finials
- Bendable

# SYSTEM SPECIFICATIONS

## A. PROFILE

Profile and bending information

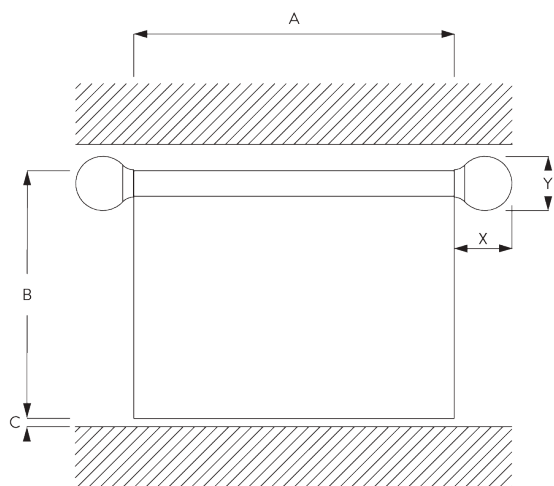


SG 6103p

Profile

Radius:  
>25 cm

## B. HOW TO MEASURE



A: System width without finials


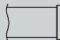







B: System height

C: Distance between floor and fabric

X: Finial width

Y: Finial height

## Finial Measurements

		30 mm	
		X	Y
	SG 11603	2	30
	SG 11631	10	34
	SG 11632	18	50
	SG 11743	69	30
	SG 11744	66	50
	SG 11746	64	60
	SG 11747	116	48
	SG 11748	26	90
	SG 11749	20	60

## C. SPECIFICATION

### TEXT

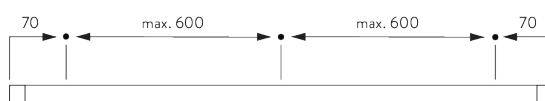
**Silent Gliss SG 7610 'Metropole' hand operated curtain track system.** Comprises 30 mm aluminium profile SG 6103 supplied made to measure with 2C gliders SG 11300 at 14/m, 2 no. flush end covers SG 11603 and 2 no. end stops SG 6065 Straight poles supplied as standard with wall 'face' fix Smart Fix brackets SG 11206 at max. 600 mm centres. Optional wall fix brackets SG 11207-11208 / SG 11216-11218 / SG 11209 / SG 11472 / Fillet bracket SG 11669. Bent systems for wall 'face' fix supplied as standard with adjustable Smart Fix bracket SG 11209. Ceiling 'top' fix with plate SG 6151 / bracket SG 6175 / SG 11668 at max. 600 mm centres. Finished in Ecru, Bronze, Antique Bronze, Gunmetal, Black, Charcoal, Anodic Grey, Slate Grey, Matt White, White, Sand, Ochre, Chrome Effect, Anodised Silver or Taupe. A range of decorative finials are available (limited range for Silver Anodised and Chrome). Silent Gliss Wave option is available using 60mm glider cord SG 11303 / 80 mm glider cord SG 11302 / 80 mm roller glider cord SG 6099.

# FITTING

## A. FITTING INFORMATION

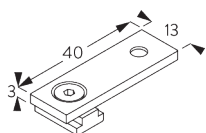
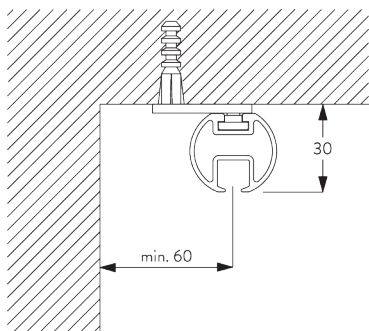
### Fixing points

For detailed fitting information, visit the [Silent Gliss website](#).



## B. CEILING FITTING

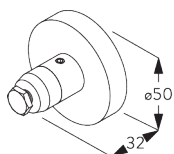
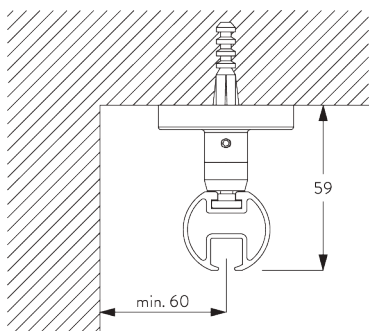
### Support SG 6151



#### SG 6151

Ceiling support set 3 mm

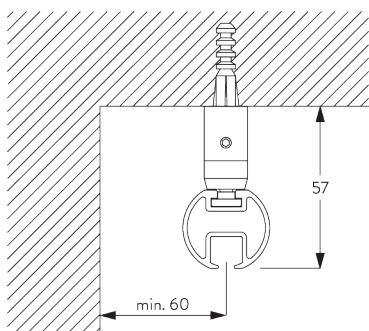
### Top fix bracket SG 11668

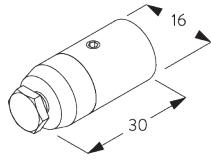


#### SG 11668

Top fix bracket

### Mini hanger SG 6175



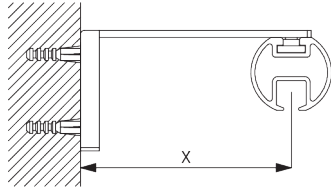


**SG 6175**

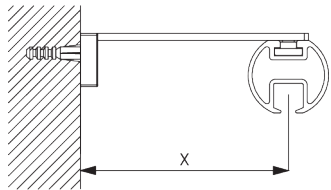
Mini hanger

## C. WALL FITTING

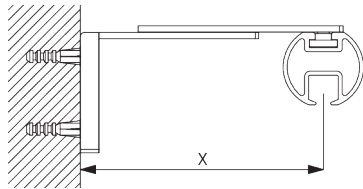
### Smart Fix



**Smart Fix with slot SG 11206 - SG 11208 and SG 6141:**  
Screw SG 6783 (M4x10) needed.

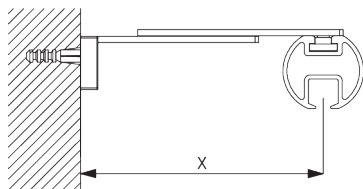


**Square Smart Fix with slot SG 11216 - SG 11218 and SG 6141:**  
Screw SG 6783 (M4x10) needed.



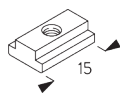
**Adjustable Smart Fix SG 11209 and SG 6141:**  
Screw SG 6784 (M4x8) needed.

Note: all bent Metropole systems are supplied with adjustable bracket SG 11209 as standard.



**Adjustable Square Smart Fix SG 11472 and SG 6141:**  
Screw SG 6784 (M4x8) needed.

Smart Fix	X mm
SG 11206 / SG 11216	51
SG 11207 / SG 11217	71
SG 11208 / SG 11218	91
SG 11209 / SG 11472	80-100



**SG 6141**

Clamping piece



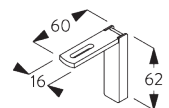
**SG 6783**

Hexagon socket countersunk screw M4x10 mm



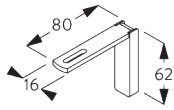
**SG 6784**

Hexagon socket countersunk screw M4x8 mm

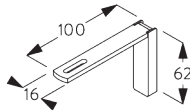


**SG 11206**

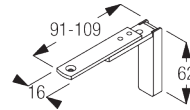
Smart Fix with slot 60 mm



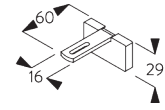
**SG 11207**  
Smart Fix with slot 80 mm



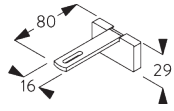
**SG 11208**  
Smart Fix with slot 100 mm



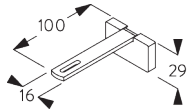
**SG 11209**  
Adjustable Smart Fix



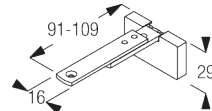
**SG 11216**  
Square Smart Fix with slot 60 mm



**SG 11217**  
Square Smart Fix with slot 80 mm

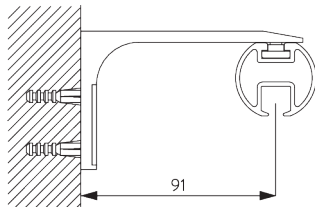


**SG 11218**  
Square Smart Fix with slot 100 mm

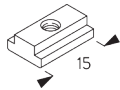


**SG 11472**  
Adjustable Square Smart Fix

### Fillet Bracket SG 11669



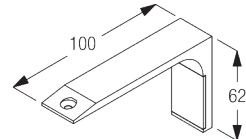
Screw SG 6784 (M4x8) needed.  
Recommended for straight systems only.



**SG 6141**  
Clamping piece

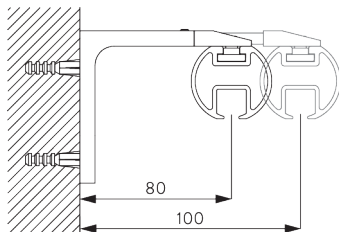


**SG 6784**  
Hexagon socket countersunk  
screw M4x8 mm

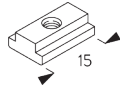


**SG 11669**  
Fillet bracket

### Maxi adjustable bracket SG 20334



Screw SG 6783 (M4x10) needed.



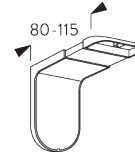
**SG 6141**

Clamping piece



**SG 6783**

Hexagon socket countersunk screw M4x10 mm



**SG 20334**

Maxi adjustable bracket

# DESIGN & SYSTEM OPTIONS

## A. ENDCAPS



SG 11603



SG 11631



SG 11632

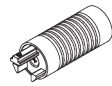
Endcaps:

- SG 11603 Flush endcap 30 mm
- SG 11631 Stud endcap 30 mm
- SG 11632 Design endcap 30 mm

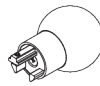
Please note:

- Without finials, poles are supplied as standard with flush fitting endcaps SG 11603 (left).
- Alternatively, stud endcaps SG 11631 can be selected at no additional cost.

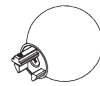
## B. FINIALS



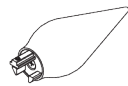
SG 11743



SG 11744



SG 11746



SG 11747



SG 11748

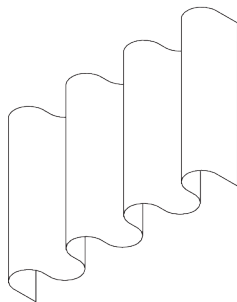


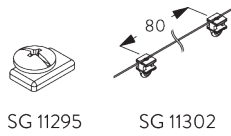
SG 11749

Finials are decorative elements that fit on at the end of the pole:

- SG 11743 Groove cylinder 30 mm
- SG 11744 Glass ball 30 mm
- SG 11746 Ball end 30 mm
- SG 11747 Spear 30 mm
- SG 11748 Ellipse 30 mm
- SG 11749 Taper 30 mm

## C. WAVE



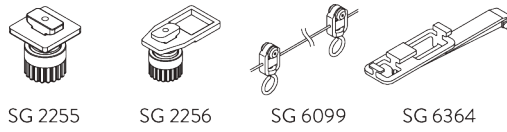


SG 11295

SG 11302

Standard components:

- SG 11295 End stop
- SG 11302 Wave 2C glider cord 80 mm



SG 2255

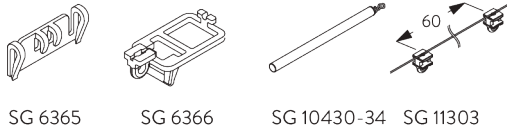
SG 2256

SG 6099

SG 6364

Optional components:

- SG 2255 Brake
- SG 2256 Brake
- SG 6099 Wave roller cord 80 mm
- SG 6364 Wave extension
- SG 6365 Wave hanger
- SG 6366 Wave carrier for draw rod
- SG 10430-34 Draw rod
- SG 11303 Wave 2C glider cord 60 mm



SG 6365

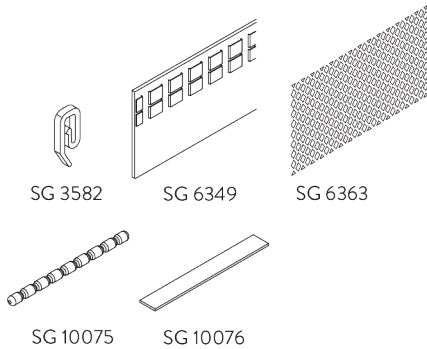
SG 6366

SG 10430-34

SG 11303

Curtain components:

- SG 3582 Hook
- SG 6349 Wave curtain tape
- SG 6363 Wave top hemming tape
- SG 10075 Lead weight 50 gr/m
- SG 10076 Fabric weigh



SG 3582

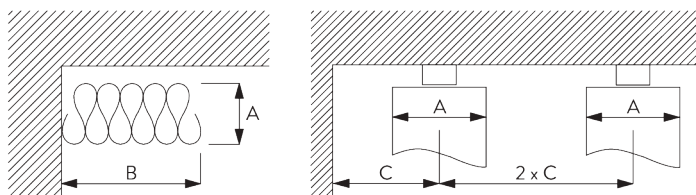
SG 6349

SG 6363

SG 10075

SG 10076

Wave stack depth - 2C glider cord (standard components)



A = Stack depth  
B = Stack size  
C = Min. distance

2C Glider cord SG 11302	Pockets between hooks	Approx. curtain fullness	Stack depth A	Stack size B*	Min distance C
80	6	~2.1	140	180 per metre of track	90
80	7	~2.3	160	180 per metre of track	100



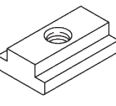
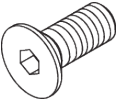
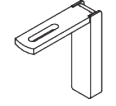

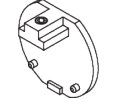
2C Glider cord SG 11303	Pockets between hooks	Approx. curtain fullness	Stack depth A	Stack size B*	Min distance C
60	4	~2.1	100	230 per metre of track	70
60	5	~2.3	120	230 per metre of track	80

\*Stack size B when using optional extension arm SG 6364 increases by 95 mm per curtain stack!

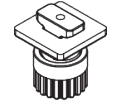
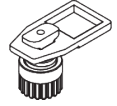

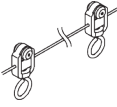
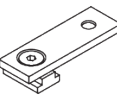
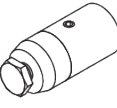
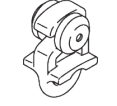

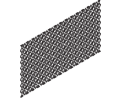
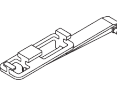
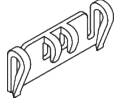
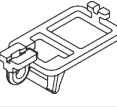
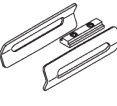
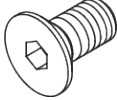



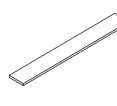
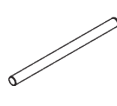
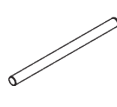
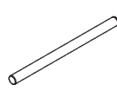
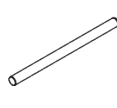
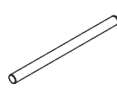
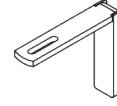
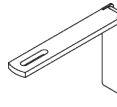
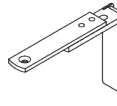
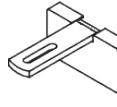
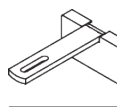
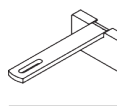
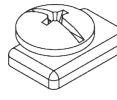
# PARTS

## A. STANDARD PARTS

	<b>SG 6065</b> End stop
	<b>SG 6103p</b> Profile
	<b>SG 6141</b> Clamping piece
	<b>SG 6783</b> Hexagon socket countersunk screw M4x10 mm
	<b>SG 11206</b> Smart Fix with slot 60 mm
	<b>SG 11300</b> 2C glider
	<b>SG 11603</b> Flush end cap 30 mm

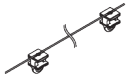
## B. OPTIONAL PARTS

	<b>SG 2255</b> Brake
	<b>SG 2256</b> Brake
	<b>SG 3582</b> Hook
	<b>SG 6099</b> Wave roller cord 80 mm
	<b>SG 6151</b> Ceiling support set 3 mm
	<b>SG 6175</b> Mini hanger
	<b>SG 6283</b> Roller
	<b>SG 6349</b> Wave curtain tape
	<b>SG 6363</b> Wave top hemming tape
	<b>SG 6364</b> Wave extension
	<b>SG 6365</b> Wave hanger
	<b>SG 6366</b> Wave carrier for draw rod
	<b>SG 6635</b> Connection bridge set
	<b>SG 6784</b> Hexagon socket countersunk screw M4x8 mm

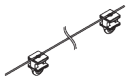
	<b>SG 10075</b> Lead weight 50 g/m
	<b>SG 10076</b> Fabric weight
	<b>SG 10430</b> Draw rod 50 cm
	<b>SG 10431</b> Draw rod 75 cm
	<b>SG 10432</b> Draw rod 100 cm
	<b>SG 10433</b> Draw rod 125 cm
	<b>SG 10434</b> Draw rod 150 cm
	<b>SG 11207</b> Smart Fix with slot 80 mm
	<b>SG 11208</b> Smart Fix with slot 100 mm
	<b>SG 11209</b> Adjustable Smart Fix
	<b>SG 11216</b> Square Smart Fix with slot 60 mm
	<b>SG 11217</b> Square Smart Fix with slot 80 mm
	<b>SG 11218</b> Square Smart Fix with slot 100 mm
	<b>SG 11295</b> End stop



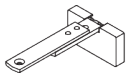
**SG 11301**  
2C glider on strip



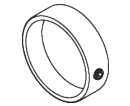
**SG 11302**  
Wave 2C glider cord 80 mm



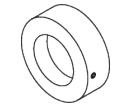
**SG 11303**  
Wave 2C glider cord 60 mm



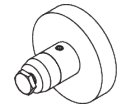
**SG 11472**  
Adjustable Square Smart Fix



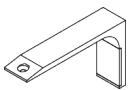
**SG 11631**  
Stud endcap 30 mm



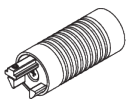
**SG 11632**  
Design endcap 30 mm



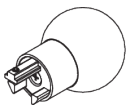
**SG 11668**  
Top fix bracket



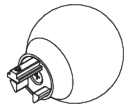
**SG 11669**  
Fillet bracket



**SG 11743**  
Groove cylinder 30 mm



**SG 11744**  
Glass ball 30 mm



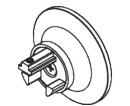
**SG 11746**  
Ball end 30 mm



**SG 11747**  
Spear 30 mm



**SG 11748**  
Ellipse 30 mm



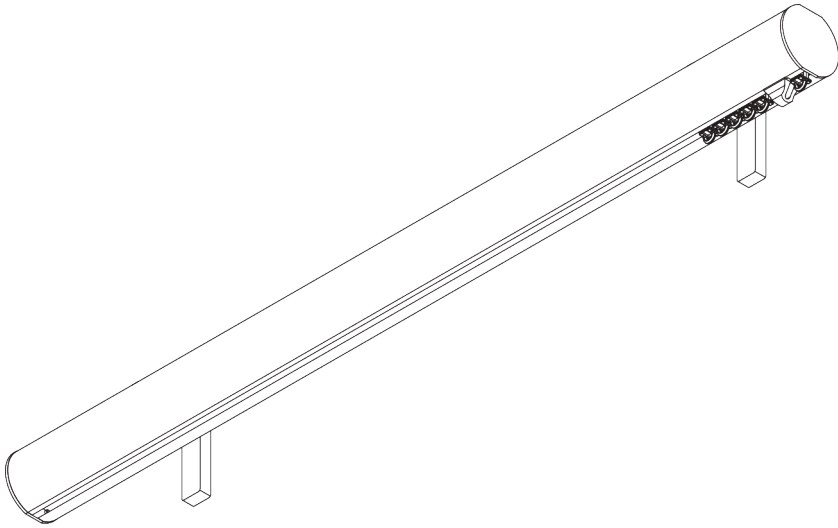
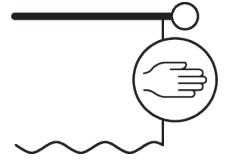
**SG 11749**  
Taper 30 mm



**SG 20334**  
Maxi adjustable bracket

# SG 7620

---



## PRODUCT INFORMATION

- **Operation:** hand
- **Range:** M - L
- **Fitting:** ceiling, wall
- **Colours:** white RAL 9016, various colours / finishes
- **Fabrics:** refer to Silent Gliss fabric collection

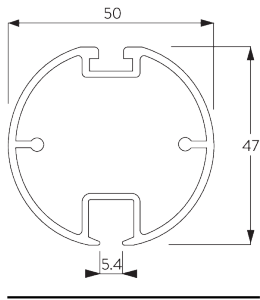
### **Features:**

- 2-component (2C) glider technology
- Wave (2C)
- Matching endcaps and brackets / bracket covers
- Range of decorative finials
- Bendable

# SYSTEM SPECIFICATIONS

## A. PROFILE

Profile and bending information

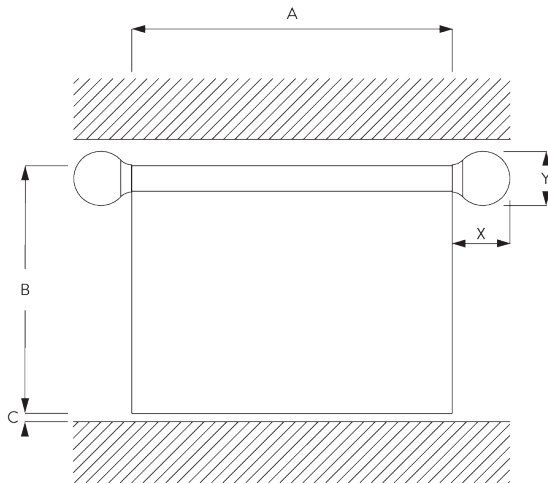


SG 11609

Profile

Radius:  
>50 cm

## B. HOW TO MEASURE



A: System width without finials


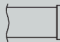







B: System height

C: Distance between floor and fabric

X: Finial width

Y: Finial height

## Finial Measurements

		50 mm	
		X	Y
	SG 11605	2	51
	SG 11651	10	56
	SG 11652	24	75
	SG 11773	115	51
	SG 11774	83	70
	SG 11776	90	85
	SG 11777	165	70
	SG 11778	32	130
	SG 11779	30	100

## C. SPECIFICATION

### TEXT

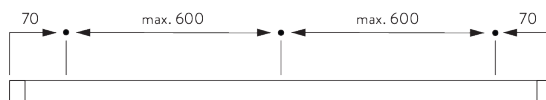
**Silent Gliss SG 7620 'Metropole' hand operated curtain track system.** Comprises 50 mm aluminium profile SG 11607 supplied made to measure with 2C gliders SG 11300 at 14/m, 2 no. end covers SG 11605 and 2 no. end stops SG 6065. Supplied as standard with wall 'face' fix Maxi brackets SG 20334 at max. 600 mm centres. Optional wall fix brackets SG 11206-11208 / SG 11216-11218 / SG 11209 / SG 11472 / Fillet bracket SG 11669. Bent systems for wall 'face' fix supplied as standard with adjustable Smart Fix bracket SG 11209. Ceiling 'top' fix with plate SG 6151 / bracket SG 6175 / SG 11668 at max. 600 mm centres. Finished in Black, White, Matt White, Ecru, Slate Grey, Bronze, Antique Bronze, Silver Anodised, Anodic Grey and Taupe. A range of decorative finials are available. Silent Gliss Wave option is available using 60 mm glider cord SG 11303 / 80 mm glider cord SG 11302 / 80 mm roller glider cord SG 6099.

# FITTING

## A. FITTING INFORMATION

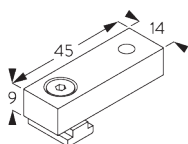
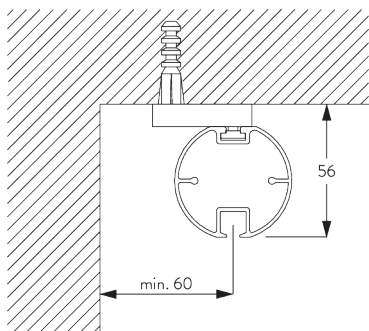
For detailed fitting information, visit the Silent Gliss website.

### Fixing points



## B. CEILING FITTING

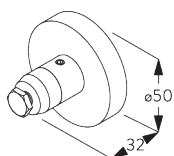
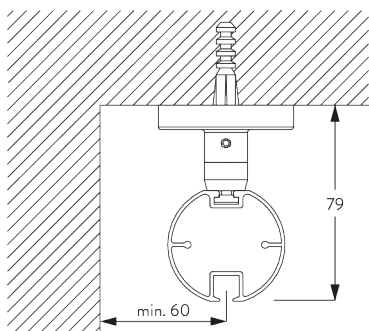
### Support SG 6152



#### SG 6152

Ceiling support set 9 mm

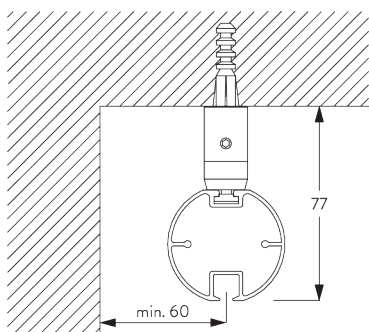
### Top fix bracket SG 11668

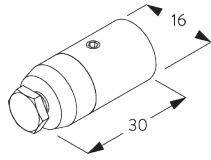


#### SG 11668

Top fix bracket

### Mini hanger SG 6175



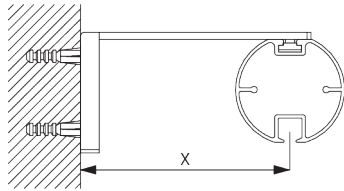


**SG 6175**

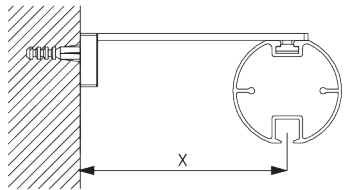
Mini hanger

## C. WALL FITTING

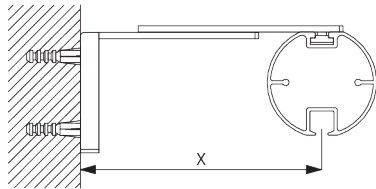
### Smart Fix



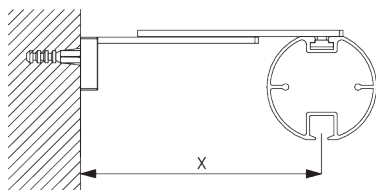
**Smart Fix with slot SG 11206 - SG 11208 and SG 6141:**  
Screw SG 6783 (M4x10) needed.



**Square Smart Fix with slot SG 11216 - SG 11218 and SG 6141:**  
Screw SG 6783 (M4x10) needed.

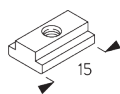


**Adjustable Smart Fix SG 11209 and SG 6141:**  
Screw SG 6784 (M4x8) needed.



**Adjustable Square Smart Fix SG 11472 and SG 6141:**  
Screw SG 6784 (M4x8) needed.

Smart Fix	X mm
SG 11206 / SG 11216	51
SG 11207 / SG 11217	71
SG 11208 / SG 11218	91
SG 11209 / SG 11472	80-100



**SG 6141**

Clamping piece



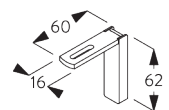
**SG 6783**

Hexagon socket countersunk screw M4x10 mm



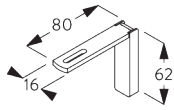
**SG 6784**

Hexagon socket countersunk screw M4x8 mm



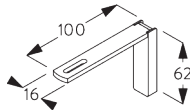
**SG 11206**

Smart Fix with slot 60 mm



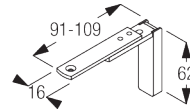
**SG 11207**

Smart Fix with slot 80 mm



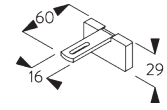
**SG 11208**

Smart Fix with slot 100 mm



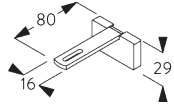
**SG 11209**

Adjustable Smart Fix



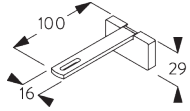
**SG 11216**

Square Smart Fix with slot 60 mm



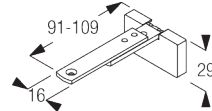
**SG 11217**

Square Smart Fix with slot 80 mm



**SG 11218**

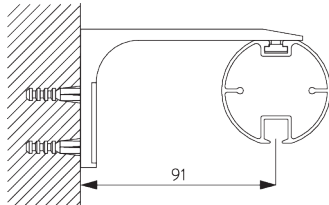
Square Smart Fix with slot 100 mm



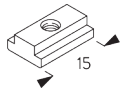
**SG 11472**

Adjustable Square Smart Fix

## Fillet Bracket SG 11669



Screw SG 6784 (M4x8) needed.  
Recommended for straight systems only.



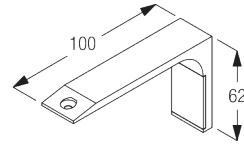
**SG 6141**

Clamping piece



**SG 6784**

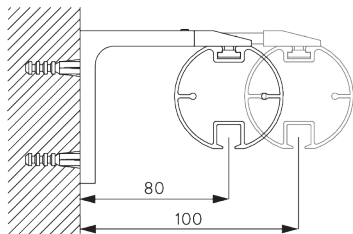
Hexagon socket countersunk screw M4x8 mm



**SG 11669**

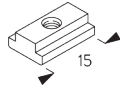
Fillet bracket

## Maxi adjustable bracket SG 20334



Screw SG 6783 (M4x10) needed.

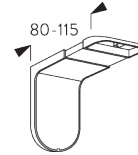




**SG 6141**  
Clamping piece



**SG 6783**  
Hexagon socket countersunk  
screw M4x10 mm



**SG 20334**  
Maxi adjustable bracket

# DESIGN & SYSTEM OPTIONS

## A. ENDCAPS



SG 11605



SG 11651



SG 11652

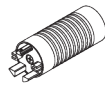
Endcaps:

- SG 11605 Flush endcap 50 mm
- SG 11651 Stud endcap 50 mm
- SG 11652 Design endcap 50 mm

Please note:

- Without finials, poles are supplied as standard with flush fitting endcaps SG 11605 (left).
- Alternatively, stud endcaps SG 11651 can be selected at no additional cost.

## B. FINIALS



SG 11773



SG 11774



SG 11776



SG 11777



SG 11778

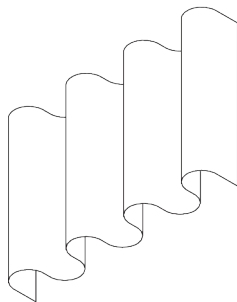


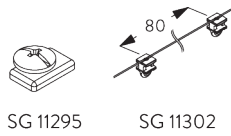
SG 11779

Finials are decorative elements that fit on at the end of the pole:

- SG 11773 Groove cylinder 50 mm
- SG 11774 Glass ball 50 mm
- SG 11776 Ball end 50 mm
- SG 11777 Spear 50 mm
- SG 11778 Ellipse 50 mm
- SG 11779 Taper 50 mm

## C. WAVE



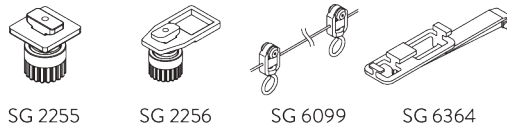


SG 11295

SG 11302

Standard components:

- SG 11295 End stop
- SG 11302 Wave 2C glider cord 80 mm



SG 2255

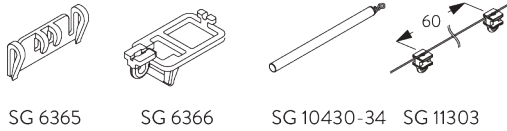
SG 2256

SG 6099

SG 6364

Optional components:

- SG 2255 Brake
- SG 2256 Brake
- SG 6099 Wave roller cord 80 mm
- SG 6364 Wave extension
- SG 6365 Wave hanger
- SG 6366 Wave carrier for draw rod
- SG 10430-34 Draw rod
- SG 11303 Wave 2C glider cord 60 mm



SG 6365

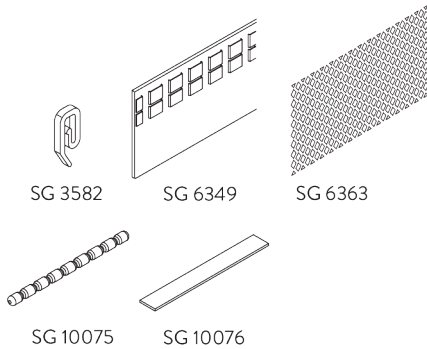
SG 6366

SG 10430-34

SG 11303

Curtain components:

- SG 3582 Hook
- SG 6349 Wave curtain tape
- SG 6363 Wave top hemming tape
- SG 10075 Lead weight 50 gr/m
- SG 10076 Fabric weigh



SG 3582

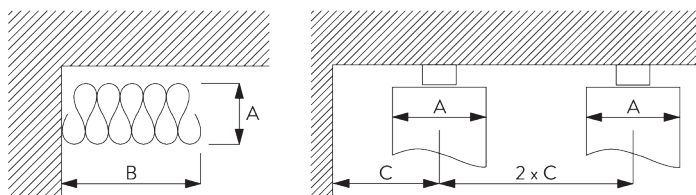
SG 6349

SG 6363

SG 10075

SG 10076

Wave stack depth - 2C glider cord (standard components)



A = Stack depth  
B = Stack size  
C = Min. distance


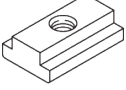
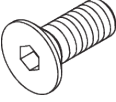


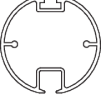
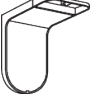
2C Glider cord SG 11302	Pockets between hooks	Approx. curtain fullness	Stack depth A	Stack size B*	Min distance C
80	6	~2.1	140	180 per metre of track	90
80	7	~2.3	160	180 per metre of track	100

2C Glider cord SG 11303	Pockets between hooks	Approx. curtain fullness	Stack depth A	Stack size B*	Min distance C
60	4	~2.1	100	230 per metre of track	70
60	5	~2.3	120	230 per metre of track	80

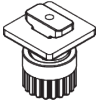
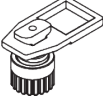
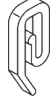
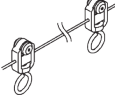
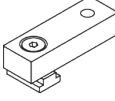
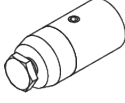



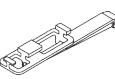
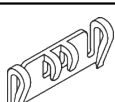
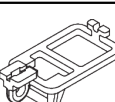
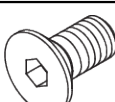
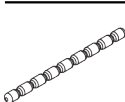
\*Stack size B when using optional extension arm SG 6364 increases by 95 mm per curtain stack!

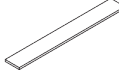
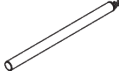
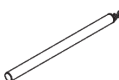



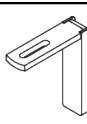
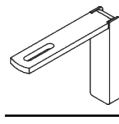
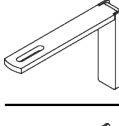
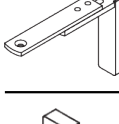
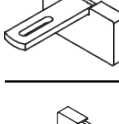
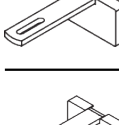
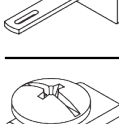
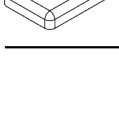
# PARTS

## A. STANDARD PARTS

	<b>SG 6065</b> End stop
	<b>SG 6141</b> Clamping piece
	<b>SG 6783</b> Hexagon socket countersunk screw M4x10 mm
	<b>SG 11300</b> 2C glider
	<b>SG 11605</b> Flush end cap 50 mm
	<b>SG 11609</b> Profile
	<b>SG 20334</b> Maxi adjustable bracket

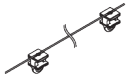
## B. OPTIONAL PARTS

	<b>SG 2255</b> Brake
	<b>SG 2256</b> Brake
	<b>SG 3582</b> Hook
	<b>SG 6099</b> Wave roller cord 80 mm
	<b>SG 6152</b> Ceiling support set 9 mm
	<b>SG 6175</b> Mini hanger
	<b>SG 6283</b> Roller
	<b>SG 6349</b> Wave curtain tape
	<b>SG 6363</b> Wave top hemming tape
	<b>SG 6364</b> Wave extension
	<b>SG 6365</b> Wave hanger
	<b>SG 6366</b> Wave carrier for draw rod
	<b>SG 6784</b> Hexagon socket countersunk screw M4x8 mm
	<b>SG 10075</b> Lead weight 50 g/m

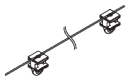
	<b>SG 10076</b> Fabric weight
	<b>SG 10430</b> Draw rod 50 cm
	<b>SG 10431</b> Draw rod 75 cm
	<b>SG 10432</b> Draw rod 100 cm
	<b>SG 10433</b> Draw rod 125 cm
	<b>SG 10434</b> Draw rod 150 cm
	<b>SG 11206</b> Smart Fix with slot 60 mm
	<b>SG 11207</b> Smart Fix with slot 80 mm
	<b>SG 11208</b> Smart Fix with slot 100 mm
	<b>SG 11209</b> Adjustable Smart Fix
	<b>SG 11216</b> Square Smart Fix with slot 60 mm
	<b>SG 11217</b> Square Smart Fix with slot 80 mm
	<b>SG 11218</b> Square Smart Fix with slot 100 mm
	<b>SG 11295</b> End stop



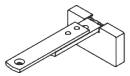
**SG 11301**  
2C glider on strip



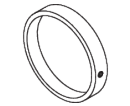
**SG 11302**  
Wave 2C glider cord 80 mm



**SG 11303**  
Wave 2C glider cord 60 mm



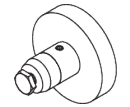
**SG 11472**  
Adjustable Square Smart Fix



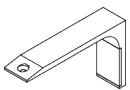
**SG 11651**  
Stud endcap 50 mm



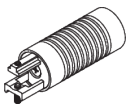
**SG 11652**  
Design endcap 50 mm



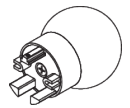
**SG 11668**  
Top fix bracket



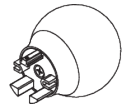
**SG 11669**  
Fillet bracket



**SG 11773**  
Groove cylinder 50 mm



**SG 11774**  
Glass ball 50 mm



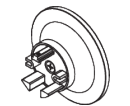
**SG 11776**  
Ball end 50 mm



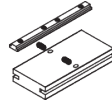
**SG 11777**  
Spear 50 mm



**SG 11778**  
Ellipse 50 mm



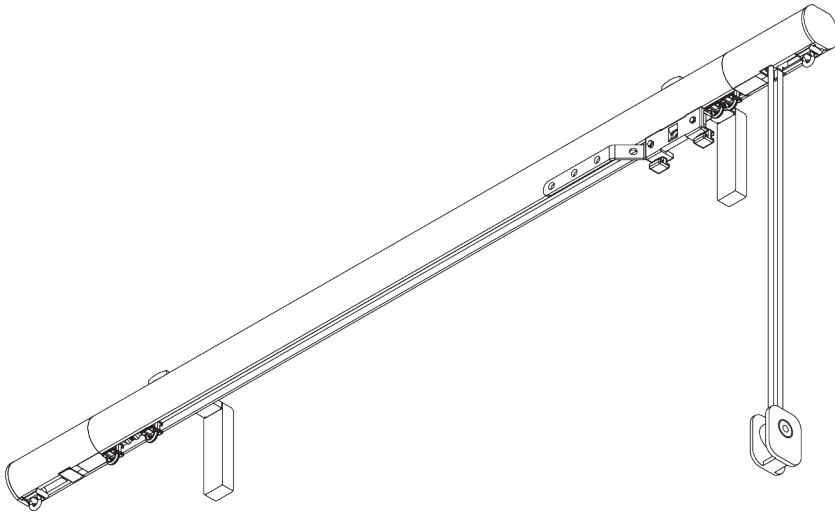
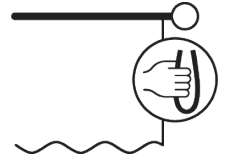
**SG 11779**  
Taper 50 mm



**SG 11783**  
Connection bridge

# SG 7630

---



## PRODUCT INFORMATION

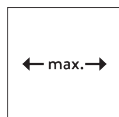
- **Operation:** cord
- **Range:** S - M
- **Fitting:** ceiling, wall
- **Colours:** white RAL 9016, various colours / finishes
- **Fabrics:** refer to Silent Gliss fabric collection

### **Features:**

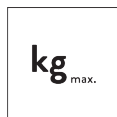
- 2-component (2C) glider technology
- Wave (2C)
- Matching endcaps and brackets / bracket covers
- Range of decorative finials
- Bendable

# SYSTEM SPECIFICATIONS

## A. SYSTEM DIMENSIONS



6 m



13 kg

## Max. curtain weights

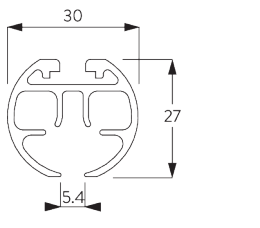
	Standard Application with Glider						Standard Application with Roller/ Wave Roller					
	1 m	2 m	3 m	4 m	5 m	6 m	1 m	2 m	3 m	4 m	5 m	6 m
	9	9	8	8	7	7	12	11	11	11	10	10
	10	10	9	9	8	8	13	13	12	11	11	10
	7	7	6	6	5	5	9	8	8	8	7	7
	8	8	7	7	6	6	10	9	9	9	8	8
	4	4	3	3	2	2	6	5	5	5	4	4
	5	5	4	4	3	3	7	6	6	6	5	5
	3	3	2	2	1	1	5	4	4	4	3	3
	4	4	3	3	2	2	6	5	5	5	4	4

(kg max.)

(kg max.)

## B. PROFILE

### Profile and bending information

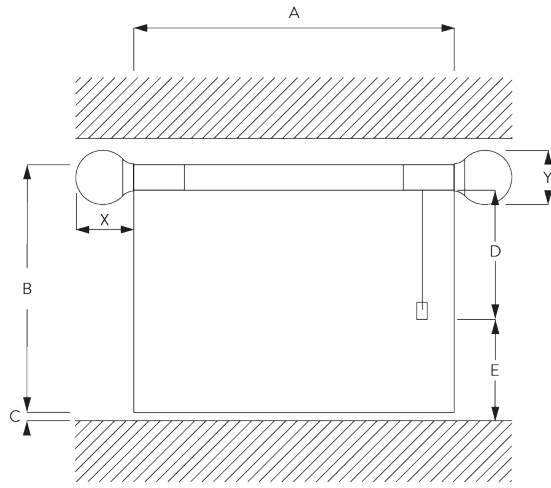


**SG 6106**

Profile

Radius:  
>30 cm

**C. HOW TO  
MEASURE**



- A: System width without finials
- B: System height
- C: Distance between floor and fabric
- D: Cord height
- E: Safety Retainer SG 10731 min. 150 cm above floor
- X: Finial width
- Y: Finial height

**Finial Measurements**

		30 mm	
		X	Y
	SG 11603	2	30
	SG 11631	10	34
	SG 11632	18	50
	SG 11733	69	30
	SG 11734	66	50
	SG 11736	64	60
	SG 11737	116	48
	SG 11738	26	90
	SG 11739	20	60

## D. SPECIFICATION

### TEXT

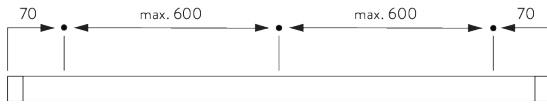
**Silent Gliss SG 7630 'Metropole' cord operated curtain track system.** Comprises 30 mm aluminium profile SG 6106 supplied made to measure with 2C gliders SG 11300 at 14/m, 2 end covers SG 11603, cord guide/return set SG 11661, overlap SG 6063 and cord SG 3091. Straight poles supplied as standard with wall 'face' fix Smart Fix brackets SG 11206 at max. 600 mm centres. Optional wall fix brackets SG 11207-11208 / SG 11216-11218 / SG 11209 / SG 11472 / Fillet bracket SG 11669. Bent systems for wall 'face' fix supplied as standard with adjustable Smart Fix bracket SG 11209. Ceiling 'top' fix with plate SG 6151 / bracket SG 6175 / SG 11668 at max. 600 mm centres. Finished in Ecru, Bronze, Antique Bronze, Gunmetal, Black, Charcoal, Anodic Grey, Slate Grey, Matt White, White, Sand, Ochre, Chrome Effect, or Taupe. A range of decorative finials are available (limited range for Chrome). Silent Gliss Wave option is available using 60 mm glider cord SG 11303 / 80mm glider cord SG 11302 / 80 mm roller glider cord SG 6099. Compliant to Child Safety legislation EN 13120.

# FITTING

## A. FITTING INFORMATION

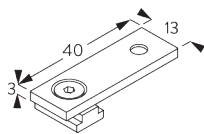
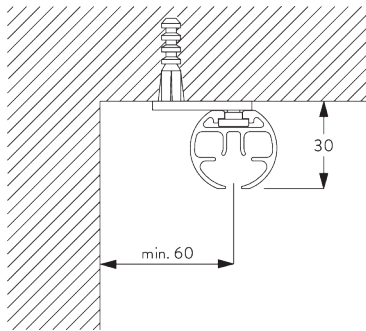
For detailed fitting information, visit the [Silent Gliss website](#).

### Fixing points



## B. CEILING FITTING

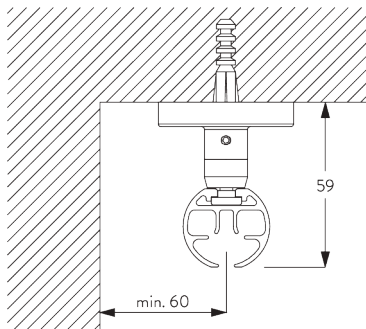
### Support SG 6151



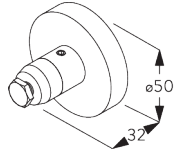
### SG 6151

Ceiling support set 3 mm

### Top fix bracket SG 11668

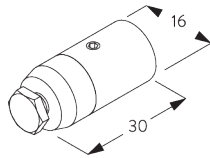
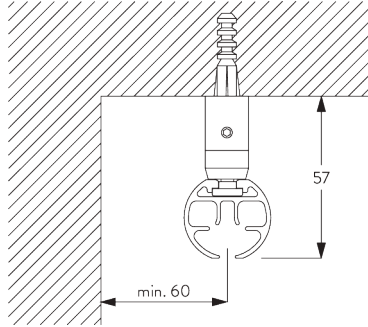






**SG 11668**  
Top fix bracket

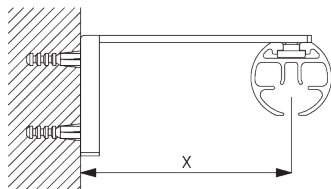
**Mini hanger SG 6175**



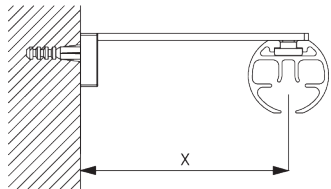
**SG 6175**  
Mini hanger

**C. WALL FITTING**

**Smart Fix**

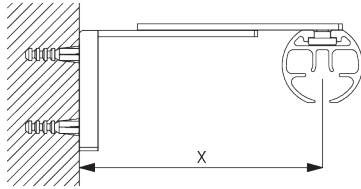


**Smart Fix with slot SG 11206 - SG 11208 and SG 6141:**  
Screw SG 6783 (M4x10) needed.



**Square Smart Fix with slot SG 11216 - SG 11218 and SG 6141:**  
Screw SG 6783 (M4x10) needed.

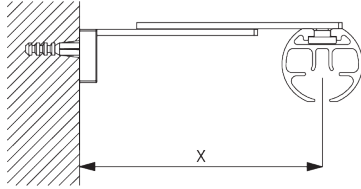
Smart Fix	X mm
SG 11206 / SG 11216	51
SG 11207 / SG 11217	71
SG 11208 / SG 11218	91
SG 11209 / SG 11472	80-100



**Adjustable Smart Fix SG 11209 and SG 6141:**

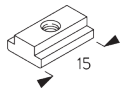
Screw SG 6784 (M4x8) needed.

Note: all bent Metropole systems are supplied with adjustable bracket SG 11209 as standard.



**Adjustable Square Smart Fix SG 11472 and SG 6141:**

Screw SG 6784 (M4x8) needed.



**SG 6141**

Clamping piece



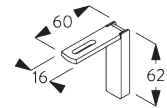
**SG 6783**

Hexagon socket countersunk screw M4x10 mm



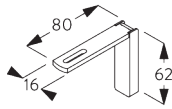
**SG 6784**

Hexagon socket countersunk screw M4x8 mm



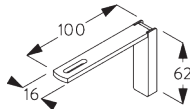
**SG 11206**

Smart Fix with slot 60 mm



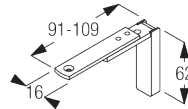
**SG 11207**

Smart Fix with slot 80 mm



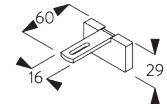
**SG 11208**

Smart Fix with slot 100 mm



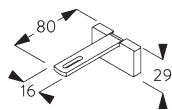
**SG 11209**

Adjustable Smart Fix



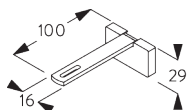
**SG 11216**

Square Smart Fix with slot 60 mm



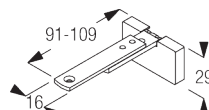
**SG 11217**

Square Smart Fix with slot 80 mm



**SG 11218**

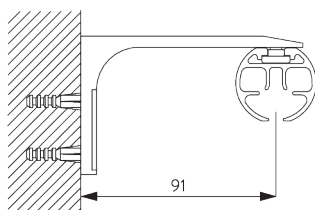
Square Smart Fix with slot 100 mm



**SG 11472**

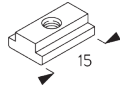
Adjustable Square Smart Fix

**Fillet Bracket  
SG 11669**



Screw SG 6784 (M4x8) needed.

Recommended for straight systems only.



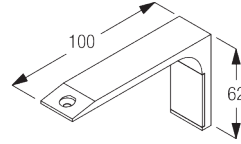
**SG 6141**

Clamping piece



**SG 6784**

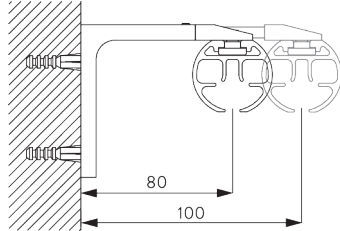
Hexagon socket countersunk screw M4x8 mm



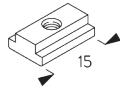
**SG 11669**

Fillet bracket

### Maxi adjustable bracket SG 20334



Screw SG 6783 (M4x10) needed.



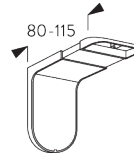
**SG 6141**

Clamping piece



**SG 6783**

Hexagon socket countersunk screw M4x10 mm



**SG 20334**

Maxi adjustable bracket

## DESIGN & SYSTEM OPTIONS

### A. ENDCAPS



SG 11603



SG 11631



SG 11632

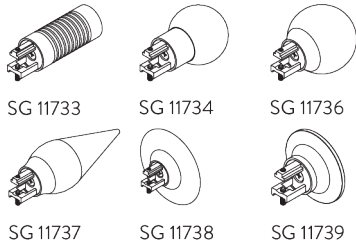
Endcaps:

- SG 11603 Flush endcap 30 mm
- SG 11631 Stud endcap 30 mm
- SG 11632 Design endcap 30 mm

Please note:

- Without finials, poles are supplied as standard with flush fitting endcaps SG 11603 (left).
- Alternatively, stud endcaps SG 11631 can be selected at no additional cost.

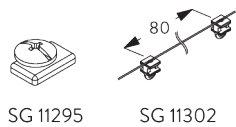
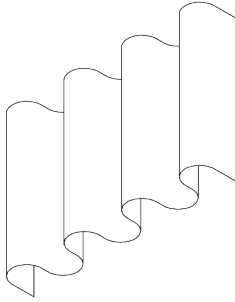
## B. FINIALS



Finials are decorative elements that fit on at the end of the pole:

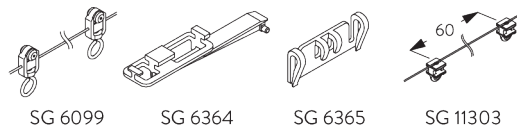
- SG 11733 Groove cylinder 30 mm
- SG 11734 Glass ball 30 mm
- SG 11736 Ball end 30 mm
- SG 11737 Spear 30 mm
- SG 11738 Ellipse 30 mm
- SG 11739 Taper 30 mm

## C. WAVE



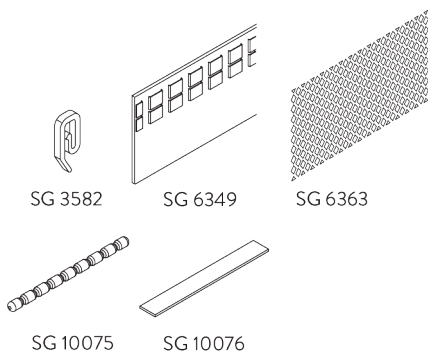
Standard components:

- SG 11295 End stop
- SG 11302 Wave 2C glider cord 80 mm



Optional component:

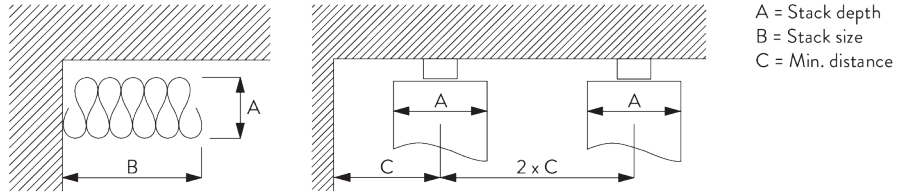
- SG 6099 Wave roller cord 80 mm
- SG 6364 Wave extension
- SG 6365 Wave hanger
- SG 11303 Wave 2C glider Cord 60 mm



Curtain components:

- SG 3582 Hook
- SG 6349 Wave curtain tape
- SG 6363 Wave top hemming tape
- SG 10075 Lead weight 50 gr/m
- SG 10076 Fabric weigh

Wave stack depth - 2C glider cord (standard components)




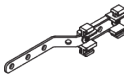


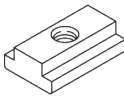
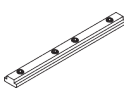
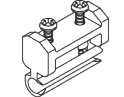
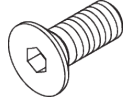

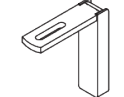

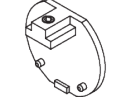
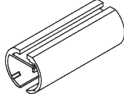
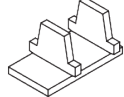
2C Glider cord SG 11302	Pockets between hooks	Approx. curtain fullness	Stack depth A	Stack size B*	Min distance C
80	6	~2.1	140	180 per metre of track	90
80	7	~2.3	160	180 per metre of track	100


2C Glider cord SG 11303	Pockets between hooks	Approx. curtain fullness	Stack depth A	Stack size B*	Min distance C
60	4	~2.1	100	230 per metre of track	70
60	5	~2.3	120	230 per metre of track	80

\*Stack size B when using optional extension arm SG 6364 increases by 175 mm per curtain stack!


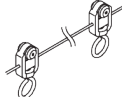
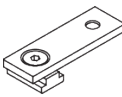
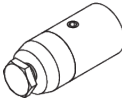

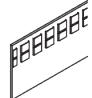
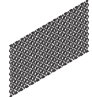
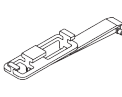
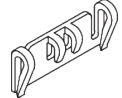
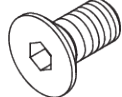
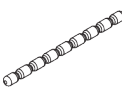
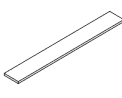
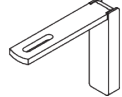
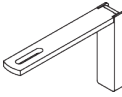
# PARTS

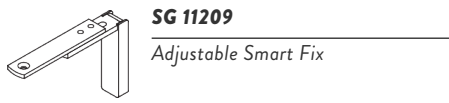
## A. STANDARD PARTS

	<b>SG 3091</b> Cord ø 3.5 mm
	<b>SG 6063</b> Overlap arm
	<b>SG 6065</b> End stop
	<b>SG 6106</b> Profile
	<b>SG 6141</b> Clamping piece
	<b>SG 6173</b> Connection bridge
	<b>SG 6354</b> Pilot runner
	<b>SG 6783</b> Hexagon socket countersunk screw M4x10 mm
	<b>SG 10731</b> Child safety retainer set
	<b>SG 11206</b> Smart Fix with slot 60 mm
	<b>SG 11300</b> 2C glider
	<b>SG 11603</b> Flush end cap 30 mm
	<b>SG 11661</b> Cord guide 30 mm
	<b>SG 11703</b> Cover

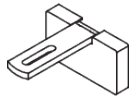
	<b>SG 11704</b> Cover
---	--------------------------

## B. OPTIONAL PARTS

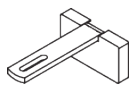
	<b>SG 3582</b> Hook
	<b>SG 6099</b> Wave roller cord 80 mm
	<b>SG 6151</b> Ceiling support set 3 mm
	<b>SG 6175</b> Mini hanger
	<b>SG 6283</b> Roller
	<b>SG 6349</b> Wave curtain tape
	<b>SG 6363</b> Wave top hemming tape
	<b>SG 6364</b> Wave extension
	<b>SG 6365</b> Wave hanger
	<b>SG 6784</b> Hexagon socket countersunk screw M4x8 mm
	<b>SG 10075</b> Lead weight 50 g/m
	<b>SG 10076</b> Fabric weight
	<b>SG 11207</b> Smart Fix with slot 80 mm
	<b>SG 11208</b> Smart Fix with slot 100 mm



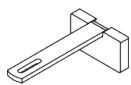
**SG 11209**  
Adjustable Smart Fix



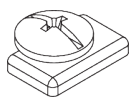
**SG 11216**  
Square Smart Fix with slot 60 mm



**SG 11217**  
Square Smart Fix with slot 80 mm



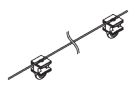
**SG 11218**  
Square Smart Fix with slot 100 mm



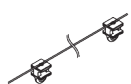
**SG 11295**  
End stop



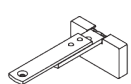
**SG 11301**  
2C glider on strip



**SG 11302**  
Wave 2C glider cord 80 mm



**SG 11303**  
Wave 2C glider cord 60 mm



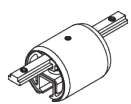
**SG 11472**  
Adjustable Square Smart Fix



**SG 11631**  
Stud endcap 30 mm



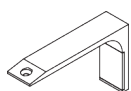
**SG 11632**  
Design endcap 30 mm



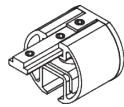
**SG 11663**  
Intermediate guide 30 mm



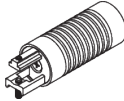
**SG 11668**  
Top fix bracket



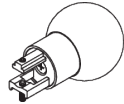
**SG 11669**  
Fillet bracket



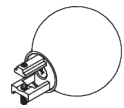
**SG 11716**  
Wave single stack return pulley 30 mm



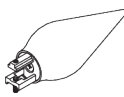
**SG 11733**  
Groove cylinder 30 mm



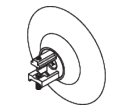
**SG 11734**  
Glass ball 30 mm



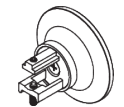
**SG 11736**  
Ball end 30 mm



**SG 11737**  
Spear 30 mm



**SG 11738**  
Ellipse 30 mm



**SG 11739**  
Taper 30 mm



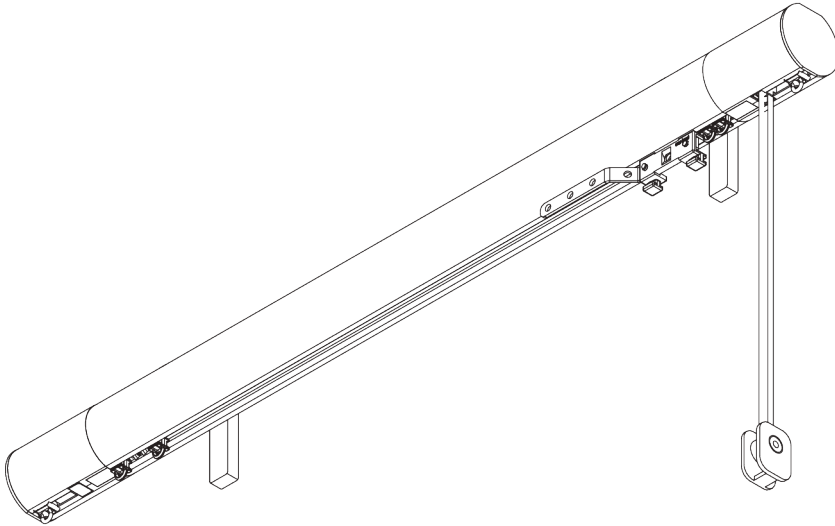
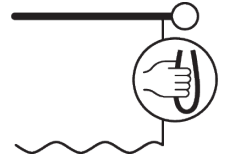
**SG 20334**  
Maxi adjustable bracket





# SG 7640

---



## PRODUCT INFORMATION

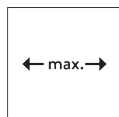
- **Operation:** cord
- **Range:** M - L
- **Fitting:** ceiling, wall
- **Colours:** white RAL 9016, various colours / finishes
- **Fabrics:** refer to Silent Gliss fabric collection

### **Features:**

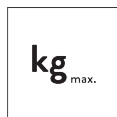
- 2-component (2C) glider technology
- Wave (2C)
- Matching endcaps and brackets / bracket covers
- Range of decorative finials
- Bendable

# SYSTEM SPECIFICATIONS

## A. SYSTEM DIMENSIONS



6 m



13 kg

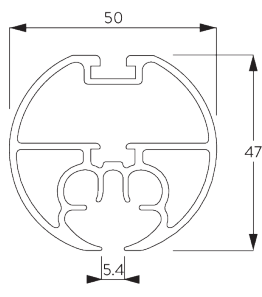
## Max. curtain weights

	Standard Application with Glider						Standard Application with Roller/ Wave Roller					
	1 m	2 m	3 m	4 m	5 m	6 m	1 m	2 m	3 m	4 m	5 m	6 m
	9	9	8	8	7	7	12	11	11	11	10	10
	10	10	9	9	8	8	13	13	12	11	11	10
	7	7	6	6	5	5	9	8	8	8	7	7
	8	8	7	7	6	6	10	9	9	9	8	8
	4	4	3	3	2	2	6	5	5	5	4	4
	5	5	4	4	3	3	7	6	6	6	5	5
	3	3	2	2	1	1	5	4	4	4	3	3
	4	4	3	3	2	2	6	5	5	5	4	4

(kg max.)

## B. PROFILE

### Profile and bending information

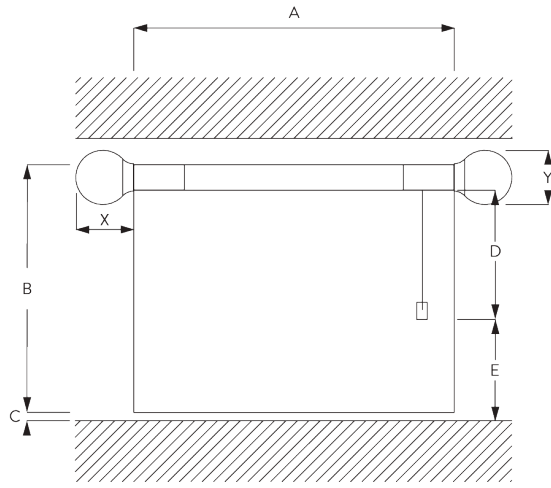


SG 11607

Profile

Radius:  
✓ >68 cm

**C. HOW TO  
MEASURE**



- A: System width without finials
- B: System height
- C: Distance between floor and fabric
- D: Cord height
- E: Safety Retainer SG 10731 min. 150 cm above floor
- X: Finial width
- Y: Finial height

**Finial Measurements**

		50 mm	
		X	Y
	SG 11605	2	51
	SG 11651	10	56
	SG 11652	24	75
	SG 11753	115	51
	SG 11754	83	70
	SG 11756	90	85
	SG 11757	165	70
	SG 11758	32	130
	SG 11759	30	100

## D. SPECIFICATION

### TEXT

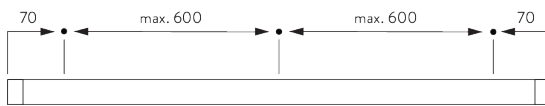
**Silent Gliss SG 7640 'Metropole' cord operated curtain track system.** Comprises 50 mm aluminium profile SG 11607 supplied made to measure with 2C gliders SG 11300 at 14/m, 2 no. flush end covers SG 11605, cording set SG 20347, overlap SG 6063 and cord SG 3091. Supplied as standard with wall 'face' fix Maxi brackets SG 20334 at max. 600 mm centres. Optional wall fix brackets SG 11206-11208 / SG 11216-11218 / SG 11209 / SG 11472 / Fillet bracket SG 11669. Bent systems for wall 'face' fix supplied as standard with adjustable Smart Fix bracket SG 11209. Ceiling 'top' fix with plate SG 6151 / bracket SG 6175 / SG 11668 at max. 600 mm centres. Finished in Black, White, Matt White, Ecru, Slate Grey, Bronze, Antique Bronze, Anodic Grey and Taupe. A range of decorative finials are available. Silent Gliss Wave option is available using 60 mm glider cord SG 11303 / 80mm glider cord SG 11302 / 80 mm roller glider cord SG 6099. Compliant to Child Safety legislation EN 13120.

# FITTING

## A. FITTING INFORMATION

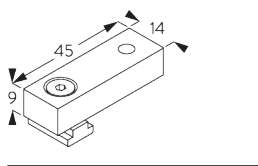
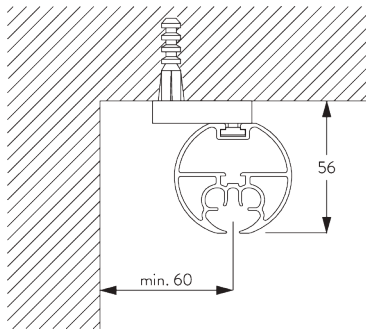
For detailed fitting information, visit the Silent Gliss website.

### Fixing points



## B. CEILING FITTING

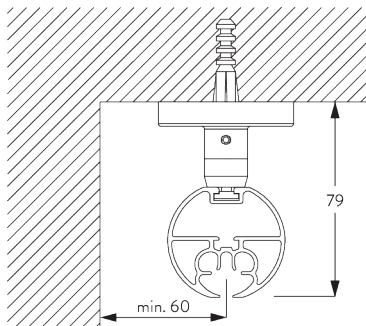
### Support SG 6152

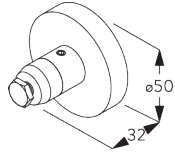


### SG 6152

Ceiling support set 9 mm

### Top fix bracket SG 11668

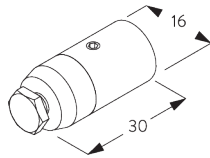
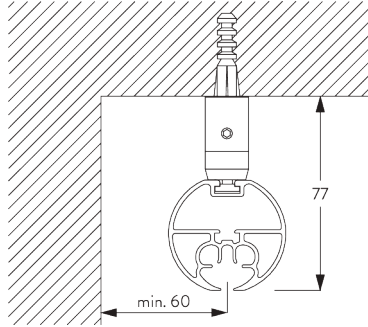




**SG 11668**

Top fix bracket

**Mini hanger SG 6175**

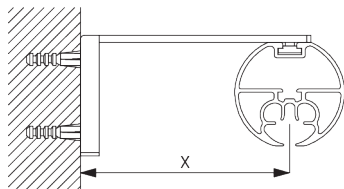


**SG 6175**

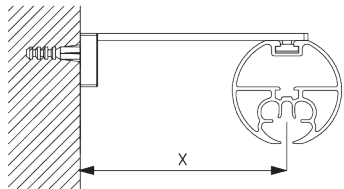
Mini hanger

**C. WALL FITTING**

**Smart Fix**

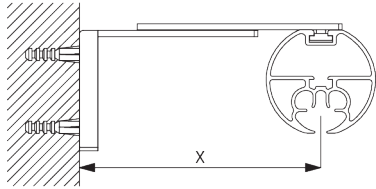


**Smart Fix with slot SG 11206 - SG 11208 and SG 6141:**  
Screw SG 6783 (M4x10) needed.

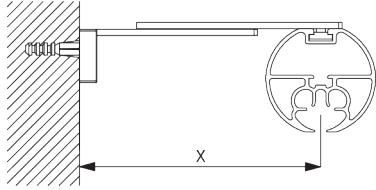


**Square Smart Fix with slot SG 11216 - SG 11218 and SG 6141:**  
Screw SG 6783 (M4x10) needed.

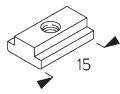
Smart Fix	X mm
SG 11206 / SG 11216	51
SG 11207 / SG 11217	71
SG 11208 / SG 11218	91
SG 11209 / SG 11472	80-100



**Adjustable Smart Fix SG 11209 and SG 6141:**  
Screw SG 6784 (M4x8) needed.



**Adjustable Square Smart Fix SG 11472 and SG 6141:**  
Screw SG 6784 (M4x8) needed.



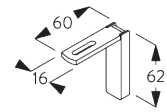
**SG 6141**  
Clamping piece



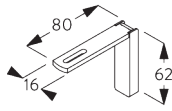
**SG 6783**  
Hexagon socket countersunk screw M4x10 mm



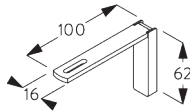
**SG 6784**  
Hexagon socket countersunk screw M4x8 mm



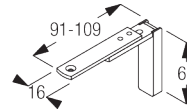
**SG 11206**  
Smart Fix with slot 60 mm



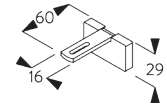
**SG 11207**  
Smart Fix with slot 80 mm



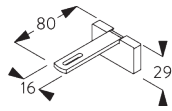
**SG 11208**  
Smart Fix with slot 100 mm



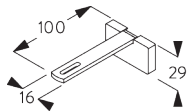
**SG 11209**  
Adjustable Smart Fix



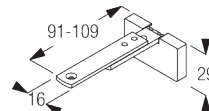
**SG 11216**  
Square Smart Fix with slot 60 mm



**SG 11217**  
Square Smart Fix with slot 80 mm

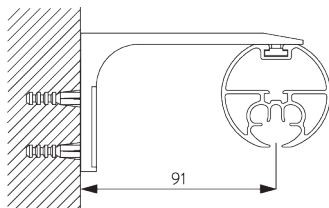


**SG 11218**  
Square Smart Fix with slot 100 mm

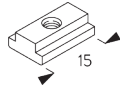


**SG 11472**  
Adjustable Square Smart Fix

## Fillet Bracket SG 11669



Screw SG 6784 (M4x8) needed.  
Recommended for straight systems only.



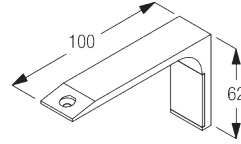
**SG 6141**

Clamping piece



**SG 6784**

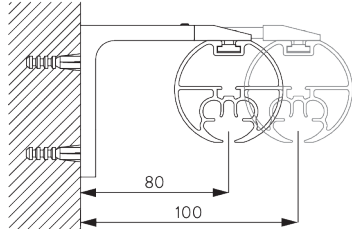
Hexagon socket countersunk  
screw M4x8 mm



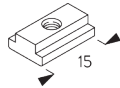
**SG 11669**

Fillet bracket

### Maxi adjustable bracket SG 20334



Screw SG 6783 (M4x10) needed.



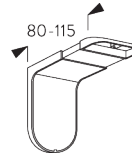
**SG 6141**

Clamping piece



**SG 6783**

Hexagon socket countersunk  
screw M4x10 mm



**SG 20334**

Maxi adjustable bracket

## DESIGN & SYSTEM OPTIONS

### A. ENDCAPS



SG 11605



SG 11651



SG 11652

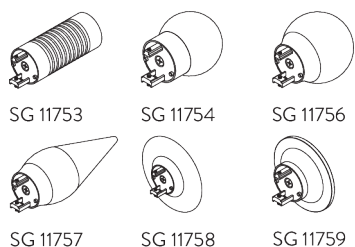
Endcaps:

- SG 11605 Flush endcap 50 mm
- SG 11651 Stud endcap 50 mm
- SG 11652 Design endcap 50 mm

Please note:

- Without finials, poles are supplied as standard with flush fitting endcaps SG 11605 (left).
- Alternatively, stud endcaps SG 11651 can be selected at no additional cost.

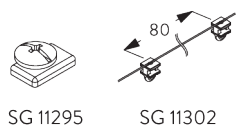
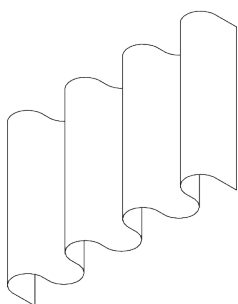
## B. FINIALS



Finials are decorative elements that fit on at the end of the pole:

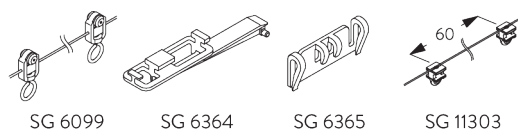
- SG 11753 Groove cylinder 50 mm
- SG 11754 Glass ball 50 mm
- SG 11756 Ball end 50 mm
- SG 11757 Spear 50 mm
- SG 11758 Ellipse 50 mm
- SG 11759 Taper 50 mm

## C. WAVE



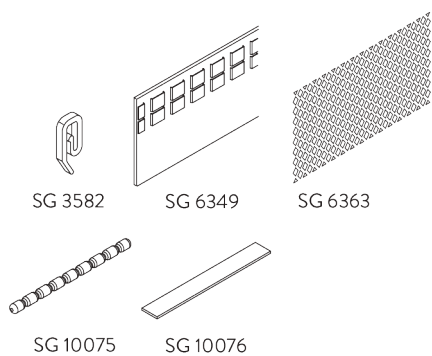
Standard components:

- SG 11295 End stop
- SG 11302 Wave 2C glider cord 80 mm



Optional component:

- SG 6099 Wave roller cord 80 mm
- SG 6364 Wave extension
- SG 6365 Wave hanger
- SG 11303 Wave 2C glider Cord 60 mm

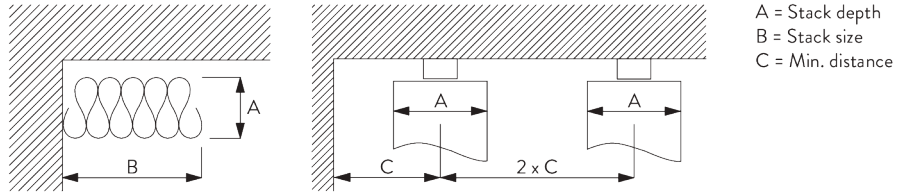


Curtain components:

- SG 3582 Hook
- SG 6349 Wave curtain tape
- SG 6363 Wave top hemming tape
- SG 10075 Lead weight 50 gr/m
- SG 10076 Fabric weigh



Wave stack depth - 2C glider cord (standard components)



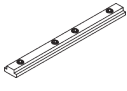
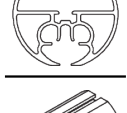
2C Glider cord SG 11302	Pockets between hooks	Approx. curtain fullness	Stack depth A	Stack size B*	Min distance C
80	6	~2.1	140	180 per metre of track	90
80	7	~2.3	160	180 per metre of track	100

2C Glider cord SG 11303	Pockets between hooks	Approx. curtain fullness	Stack depth A	Stack size B*	Min distance C
60	4	~2.1	100	230 per metre of track	70
60	5	~2.3	120	230 per metre of track	80


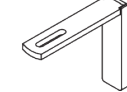
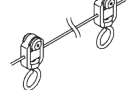
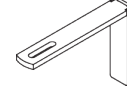
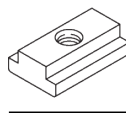
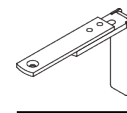
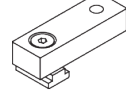
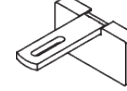
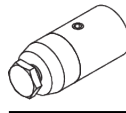
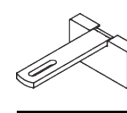

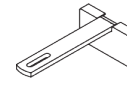
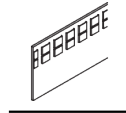
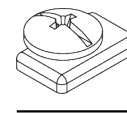
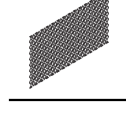
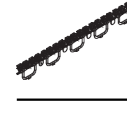
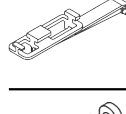
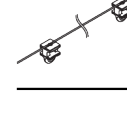
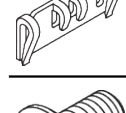
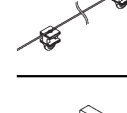
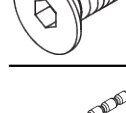
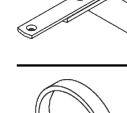
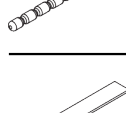
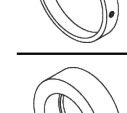
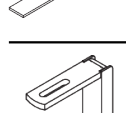
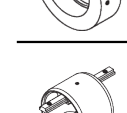
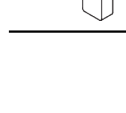

\*Stack size B when using optional extension arm SG 6364 increases by 175 mm per curtain stack!

# PARTS

## A. STANDARD PARTS

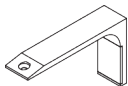
	<b>SG 3091</b> Cord ø 3.5 mm
	<b>SG 6063</b> Overlap arm
	<b>SG 6065</b> End stop
	<b>SG 6173</b> Connection bridge
	<b>SG 6354</b> Pilot runner
	<b>SG 6783</b> Hexagon socket countersunk screw M4x10 mm
	<b>SG 10731</b> Child safety retainer set
	<b>SG 11300</b> 2C glider
	<b>SG 11605</b> Flush end cap 50 mm
	<b>SG 11607</b> Profile
	<b>SG 11662</b> Cord guide 50 mm
	<b>SG 11703</b> Cover
	<b>SG 11704</b> Cover
	<b>SG 20334</b> Maxi adjustable bracket

## B. OPTIONAL PARTS

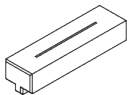
	<b>SG 3582</b> Hook		<b>SG 11207</b> Smart Fix with slot 80 mm
	<b>SG 6099</b> Wave roller cord 80 mm		<b>SG 11208</b> Smart Fix with slot 100 mm
	<b>SG 6141</b> Clamping piece		<b>SG 11209</b> Adjustable Smart Fix
	<b>SG 6152</b> Ceiling support set 9 mm		<b>SG 11216</b> Square Smart Fix with slot 60 mm
	<b>SG 6175</b> Mini hanger		<b>SG 11217</b> Square Smart Fix with slot 80 mm
	<b>SG 6283</b> Roller		<b>SG 11218</b> Square Smart Fix with slot 100 mm
	<b>SG 6349</b> Wave curtain tape		<b>SG 11295</b> End stop
	<b>SG 6363</b> Wave top hemming tape		<b>SG 11301</b> 2C glider on strip
	<b>SG 6364</b> Wave extension		<b>SG 11302</b> Wave 2C glider cord 80 mm
	<b>SG 6365</b> Wave hanger		<b>SG 11303</b> Wave 2C glider cord 60 mm
	<b>SG 6784</b> Hexagon socket countersunk screw M4x8 mm		<b>SG 11472</b> Adjustable Square Smart Fix
	<b>SG 10075</b> Lead weight 50 g/m		<b>SG 11651</b> Stud endcap 50 mm
	<b>SG 10076</b> Fabric weight		<b>SG 11652</b> Design endcap 50 mm
	<b>SG 11206</b> Smart Fix with slot 60 mm		<b>SG 11664</b> Intermediate guide 50 mm



**SG 11668**  
*Top fix bracket*



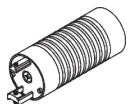
**SG 11669**  
*Fillet bracket*



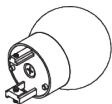
**SG 11702**  
*Connection bridge*



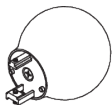
**SG 11717**  
*Wave single stack return pulley 50 mm*



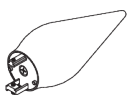
**SG 11753**  
*Groove cylinder 50 mm*



**SG 11754**  
*Glass ball 50 mm*



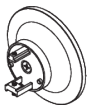
**SG 11756**  
*Ball end 50 mm*



**SG 11757**  
*Spear 50 mm*



**SG 11758**  
*Ellipse 50 mm*

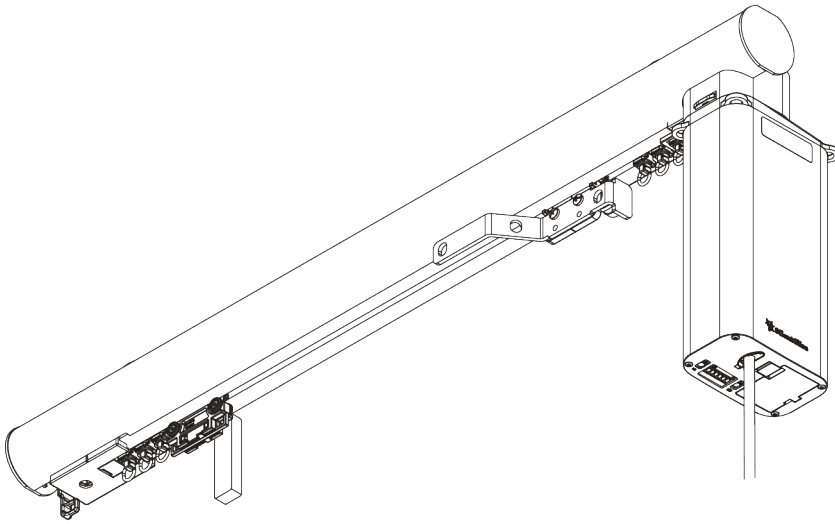
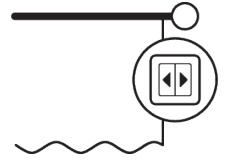


**SG 11759**  
*Taper 50 mm*



# SG 7650

---



## PRODUCT INFORMATION

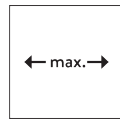
- **Operation:** motorised
- **Range:** S - L
- **Fitting:** ceiling, wall
- **Colours:** white RAL 9016, various colours / finishes
- **Fabrics:** refer to Silent Gliss fabric collection

### **Features:**

- 2-component (2C) roller technology
- Wave (2C)
- 2 motor options
- Various control options
- Touch & Go
- Manual override
- Matching endcaps and brackets / bracket covers
- Range of decorative finials

# SYSTEM SPECIFICATIONS

## A. SYSTEM DIMENSIONS



6 m



45 kg

### Maximum curtain weight - SG 5100

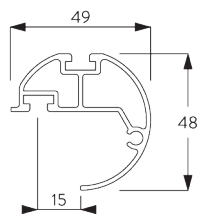
	Application with rollers		Application with Wave gliders	
	3 m	6 m	3 m	6 m
	20	25	20	20
	20	25	20	20
	(kg max.)		(kg max.)	

### Maximum curtain weight - SG 5600

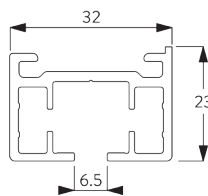
	Application with rollers / Wave rollers		Application with Wave gliders	
	2 m	6 m	2 m	6 m
	25	45	20	25
	25	45	20	25
	(kg max.)		(kg max.)	

## B. PROFILE

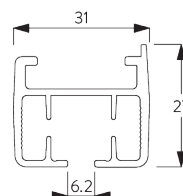
### Profile Information



**SG 11608**  
Profile

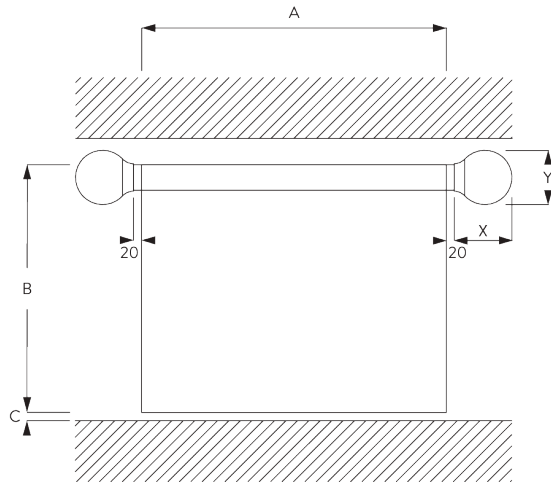


**SG 10850**  
Profile



**SG 10925**  
Profile

**C. HOW TO  
MEASURE**

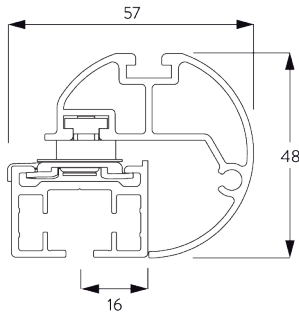


A: System width without finials  
 B: System height  
 C: Distance between floor and fabric  
 X: Finial width  
 Y: Finial height

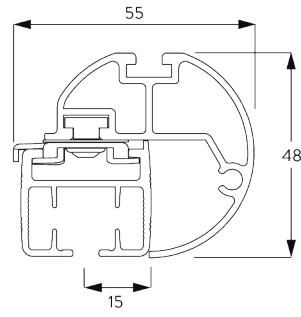
**Finial Measurements**

		50 mm	
		X	Y
	SG 11605	2	51
	SG 11651	10	56
	SG 11652	24	75
	SG 11763	115	51
	SG 11764	83	70
	SG 11766	90	85
	SG 11767	165	70
	SG 11768	32	130
	SG 11769	30	100

## Profile cross sections



SG 7650 with electric curtain track SG 5600



SG 7650 with electric curtain track SG 5100

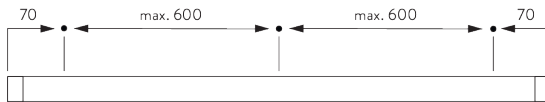
## D. SPECIFICATION TEXT

**Silent Gliss SG 7650 'Metropole' electrically operated curtain track system.** Comprises 50 mm aluminium profile SG 11608 supplied made to measure with SG electric track system SG 5600 / SG 5100 (refer to Silent Gliss for technical catalogue for motor and control options). Supplied as standard with wall 'face' Maxi brackets SG 20334 at max. 600 mm centres. Optional wall fix brackets SG 11206-11208 / SG 11216-11218 / SG 11209 / SG 11472 / Fillet bracket SG 11669. Straight only – cannot be bent. Ceiling 'top' fix with plate SG 6151 / bracket SG 6175 / SG 11668 at max. 600 mm centres. Finished in Black, White, Matt White, Ecrú, Slate Grey, Bronze, Antique Bronze, Silver Anodised, Anodic Grey and Taupe. A range of decorative finials are available. Silent Gliss Wave option is available using - for SG 5100 track system 60 mm glider cord SG 10906 / 80 mm glider cord SG 10905 – for SG 5600 track system 80 mm glider cord SG 10905 / 60 mm glider cord SG 10906 / 60 mm wave 2C roller glider cord SG 10869 / 80 mm wave 2C roller glider cord SG 10852.

# FITTING

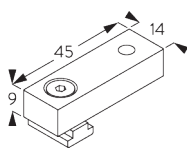
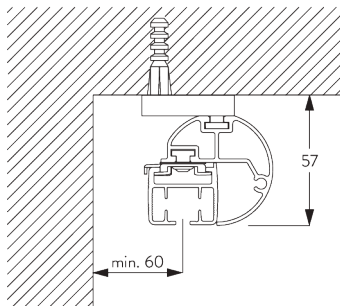
## A. FITTING INFORMATION

For detailed fitting information, visit the [Silent Gliss website](#).



## B. CEILING FITTING

### Support SG 6152

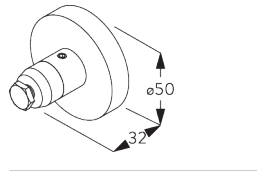
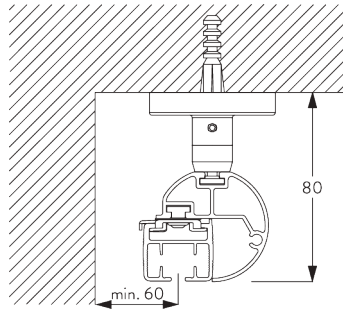


SG 6152

Ceiling support set 9 mm

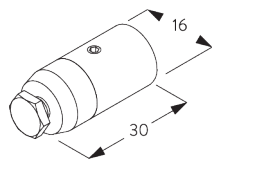
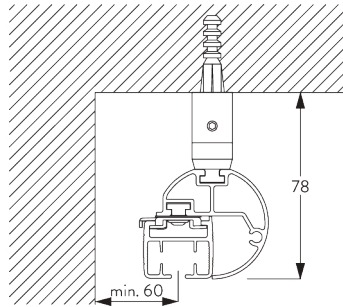


**Top fix bracket  
SG 11668**



**SG 11668**  
*Top fix bracket*

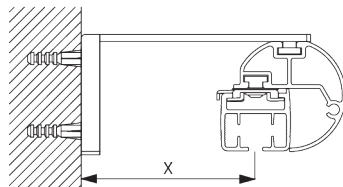
**Mini hanger SG 6175**



**SG 6175**  
*Mini hanger*

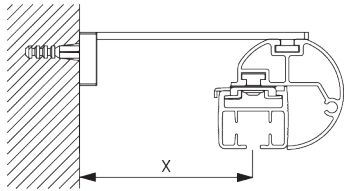
**C. WALL FITTING**

**Smart Fix**



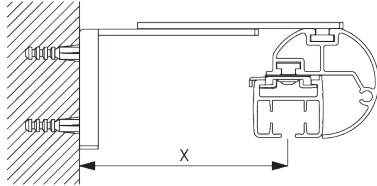
**Smart Fix with slot SG 11206 - SG 11208 and SG 6141:**  
*Screw SG 6783 (M4x10) needed.*

<b>Smart Fix</b>	<b>X mm</b>
SG 11206 / SG 11216	35
SG 11207 / SG 11217	55
SG 11208 / SG 11218	75
SG 11209 / SG 11472	64-84



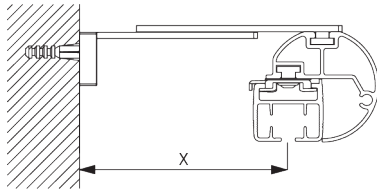
**Square Smart Fix with slot SG 11216 - SG 11218 and SG 6141:**

Screw SG 6783 (M4x10) needed.



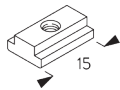
**Adjustable Smart Fix SG 11209 and SG 6141:**

Screw SG 6784 (M4x8) needed.



**Adjustable Square Smart Fix SG 11472 and SG 6141:**

Screw SG 6784 (M4x8) needed.



**SG 6141**

Clamping piece



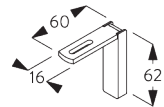
**SG 6783**

Hexagon socket countersunk screw M4x10 mm



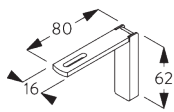
**SG 6784**

Hexagon socket countersunk screw M4x8 mm



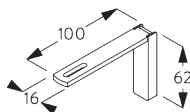
**SG 11206**

Smart Fix with slot 60 mm



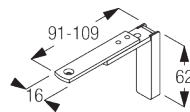
**SG 11207**

Smart Fix with slot 80 mm



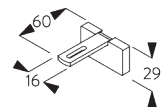
**SG 11208**

Smart Fix with slot 100 mm



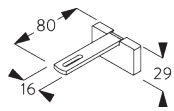
**SG 11209**

Adjustable Smart Fix



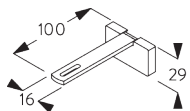
**SG 11216**

Square Smart Fix with slot 60 mm



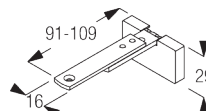
**SG 11217**

Square Smart Fix with slot 80 mm



**SG 11218**

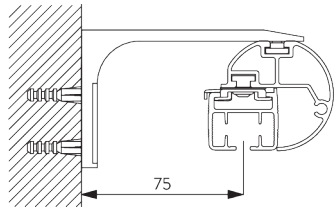
Square Smart Fix with slot 100 mm



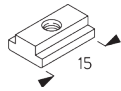
**SG 11472**

Adjustable Square Smart Fix

**Fillet Bracket  
SG 11669**



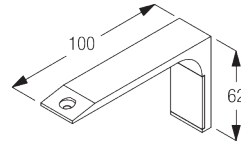
Screw SG 6784 (M4x8) needed.  
Recommended for straight systems only.



**SG 6141**  
Clamping piece

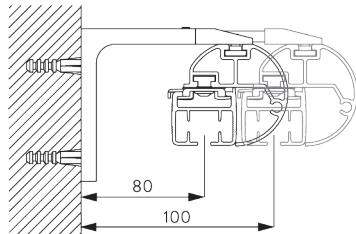


**SG 6784**  
Hexagon socket countersunk  
screw M4x8 mm

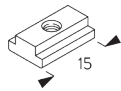


**SG 11669**  
Fillet bracket

**Maxi adjustable  
bracket SG 20334**



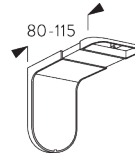
Screw SG 6783 (M4x10) needed.



**SG 6141**  
Clamping piece



**SG 6783**  
Hexagon socket countersunk  
screw M4x10 mm



**SG 20334**  
Maxi adjustable bracket

# DESIGN & SYSTEM OPTIONS

**A. ENDCAPS**



SG 11605



SG 11651



SG 11652

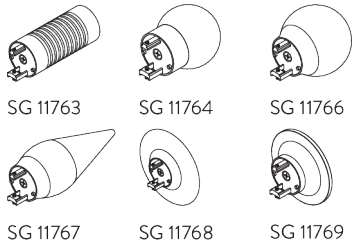
Endcaps:

- SG 11605 Flush endcap 50 mm
- SG 11651 Stud endcap 50 mm
- SG 11652 Design endcap 50 mm

Please note:

- Without finials, poles are supplied as standard with flush fitting endcaps SG 11605 (left).
- Alternatively, stud endcaps SG 11651 can be selected at no additional cost.

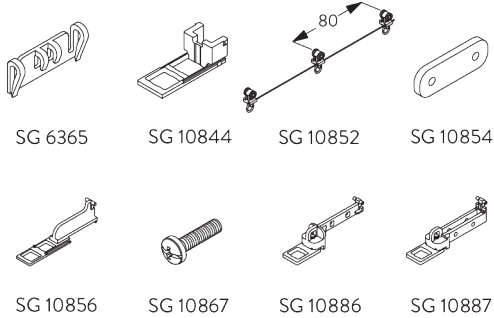
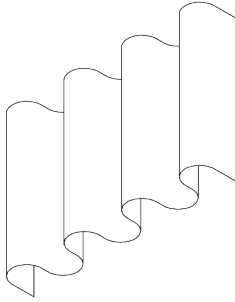
## B. FINIALS



Finials are decorative elements that fit on at the end of the pole:

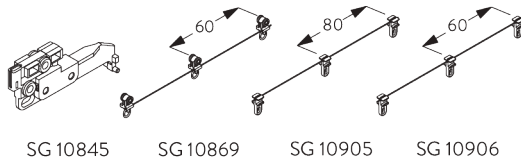
- SG 11763 Groove cylinder 50 mm
- SG 11764 Glass ball 50 mm
- SG 11766 Ball end 50 mm
- SG 11767 Spear 50 mm
- SG 11768 Ellipse 50 mm
- SG 11769 Taper 50 mm

## C. WAVE WITH SG 5600



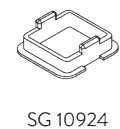
Standard components with SG 5600:

- SG 6365 Wave hanger
- SG 10844 Wave end stop
- SG 10852 Wave 2C roller cord, 80 mm
- SG 10854 Wave overlap arm support
- SG 10856 Wave end stop, belt return
- SG 10867 Panhead screw
- SG 10886 Wave extension
- SG 10887 Wave overlap arm set

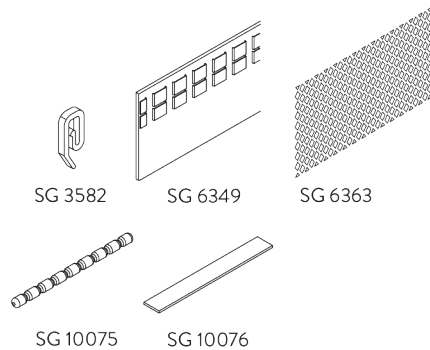


Optional components with SG 5600:

- SG 10845 Wave master carrier single stack 80 mm
- SG 10869 Wave 2C roller cord, 60 mm (no single stack)
- SG 10905 Wave glider cord, 80 mm
- SG 10906 Wave glider cord, 60 mm (no single stack)
- SG 10924 Wave glider support



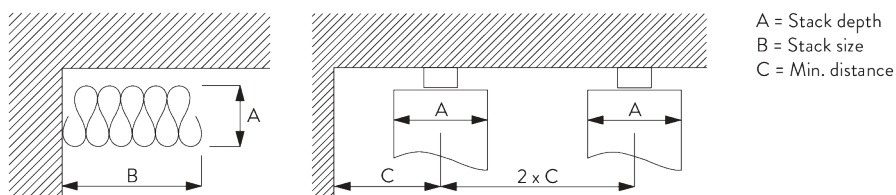
SG 10924



Curtain components with SG 5600:

- SG 3582 Hook
- SG 6349 Wave curtain tape
- SG 6363 Wave top hemming tape
- SG 10075 Lead weight 50 gr/m
- SG 10076 Fabric weight

Wave stack depth - 2C roller / glider cord (standard components)

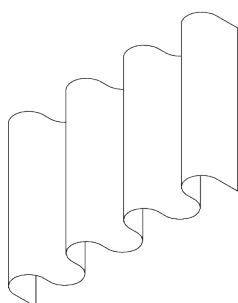


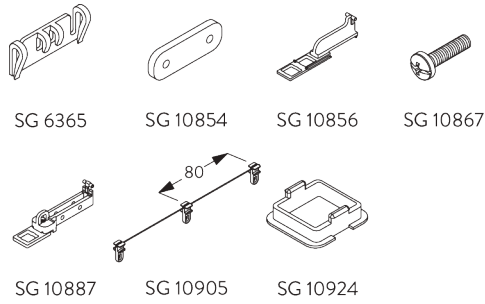
Roller / glider cord SG 10852 / 10905	Pockets between hooks	Approx. curtain fullness	Stack depth A	Stack size B*	Min distance C
80	6	~2.1	140	210 per metre of track	90
80	7	~2.3	160	210 per metre of track	100

Roller / glider cord SG 10869 / 10906	Pockets between hooks	Approx. curtain fullness	Stack depth A	Stack size B*	Min distance C
60	4	~2.1	100	260 per metre of track	70
60	5	~2.3	120	260 per metre of track	80

\*Stack size B plus 195 mm for each curtain stack

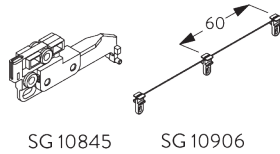
#### **D. WAVE WITH SG 5100**





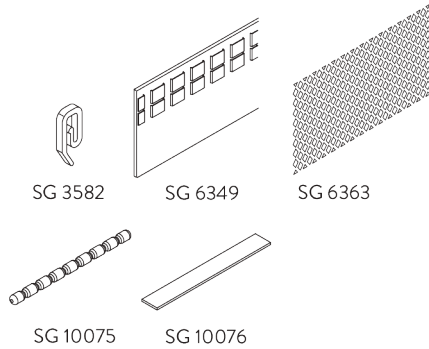
Standard components with SG 5100:

- SG 6365 Wave hanger
- SG 10854 Wave overlap arm support
- SG 10856 Wave end stop, belt return
- SG 10867 Panhead screw
- SG 10887 Wave overlap arm set
- SG 10905 Wave glider cord 80 mm
- SG 10924 Wave glider support



Optional components with SG 5100:

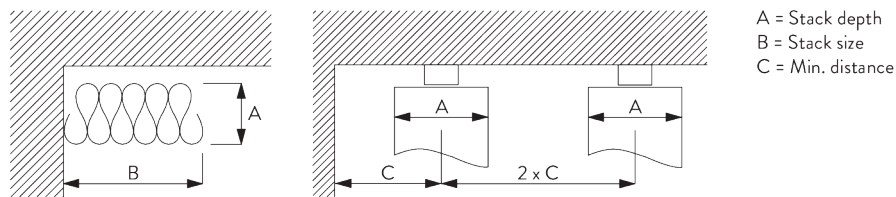
- SG 10845 Wave master carrier single stack 80 mm
- SG 10906 Wave glider cord 60 mm (no single stack)



Curtain components with SG 5100:

- SG 3582 Hook
- SG 6349 Wave curtain tape
- SG 6363 Wave top hemming tape
- SG 10075 Lead weight 50 gr/m
- SG 10076 Fabric weight

Wave stack depth - glider cord (standard components)



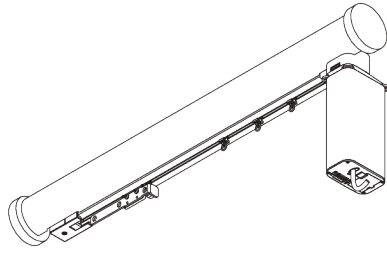
Glider cord SG 10905	Pockets between hooks	Approx. curtain fullness	Stack depth A	Stack size B*	Min distance C
80	6	~2.1	140	180 per metre of track	90
80	7	~2.3	160	180 per metre of track	100

Glider cord SG 10906	Pockets between hooks	Approx. curtain fullness	Stack depth A	Stack size B*	Min distance C
60	4	~2.1	100	230 per metre of track	70
60	5	~2.3	120	230 per metre of track	80

\*Stack size B plus 195 mm for each curtain stack

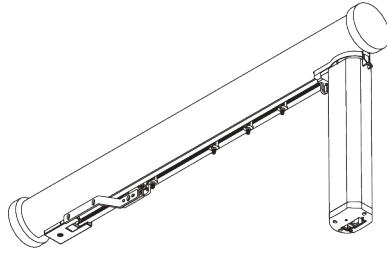
# MOTORS & CONTROLS

**Electric curtain track system SG 5600**



*For detailed motor features and specifications and control options, refer to SG 5600 catalogue.*

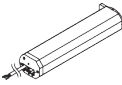
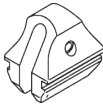
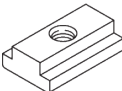
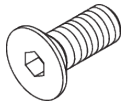
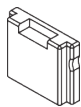

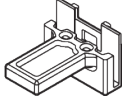
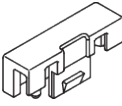
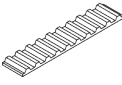
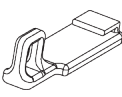
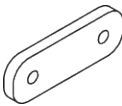
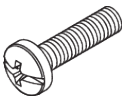
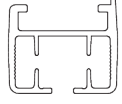

**Electric curtain track system SG 5100**



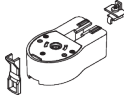
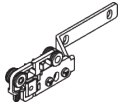
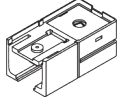
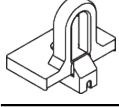


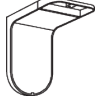


*For detailed motor features and specifications and control options, refer to SG 5100 catalogue.*



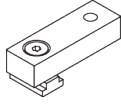
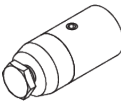


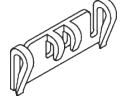
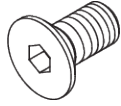
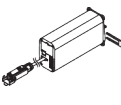
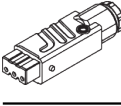

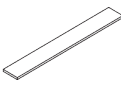
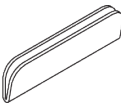
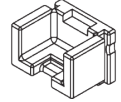
# PARTS

## A. STANDARD PARTS

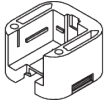
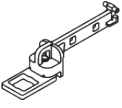
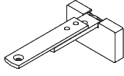
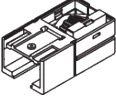
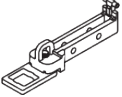

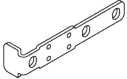


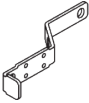
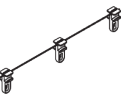

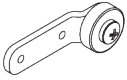
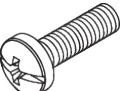
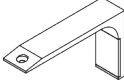
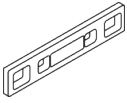
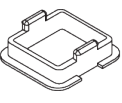
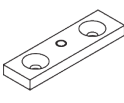
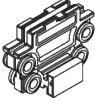
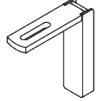
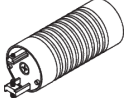

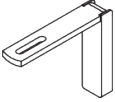
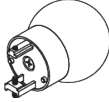
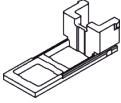
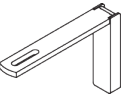
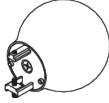
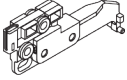
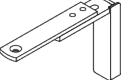

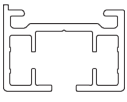
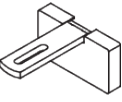

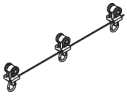
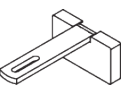
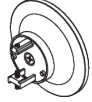

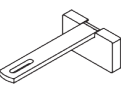
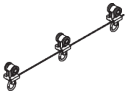
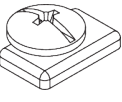
	<b>SG 5190</b> Motor 100-240V AC, 1/130, radio receiver
	<b>SG 6086</b> Spring stop
	<b>SG 6141</b> Clamping piece
	<b>SG 6783</b> Hexagon socket countersunk screw M4x10 mm
	<b>SG 10815</b> Cover
	<b>SG 10822</b> Master carrier
	<b>SG 10823</b> Belt connector arm
	<b>SG 10824</b> Belt connector pin
	<b>SG 10825</b> Belt
	<b>SG 10836</b> Mask pair stack
	<b>SG 10854</b> Wave overlap plate
	<b>SG 10867</b> Pan head screw Freedriv M4x16
	<b>SG 10925</b> Profile
	<b>SG 10926</b> Clamp

	<b>SG 10927</b> Hook
	<b>SG 10931</b> Roller
	<b>SG 10933</b> Gear drive set
	<b>SG 10936</b> Overlap arm
	<b>SG 10940</b> Guide return
	<b>SG 10945</b> End stop
	<b>SG 11605</b> Flush end cap 50 mm
	<b>SG 11608</b> Profile
	<b>SG 20334</b> Maxi adjustable bracket

## B. OPTIONAL PARTS

	<b>SG 3004</b> Clamp
	<b>SG 3582</b> Hook
	<b>SG 6152</b> Ceiling support set 9 mm
	<b>SG 6175</b> Mini hanger
	<b>SG 6349</b> Wave curtain tape
	<b>SG 6363</b> Wave top hemming tape
	<b>SG 6365</b> Wave hanger
	<b>SG 6784</b> Hexagon socket countersunk screw M4x8 mm
	<b>SG 9060</b> Motor 100-250V AC & 24V DC
	<b>SG 9917</b> Hirschmann portable socket-outlet STAK 3 N
	<b>SG 10075</b> Lead weight 50 g/m
	<b>SG 10076</b> Fabric weight
	<b>SG 10725</b> Programming distance holder
	<b>SG 10816</b> Cover



	<b>SG 10817</b> Motor holder		<b>SG 10886</b> Wave extension		<b>SG 11472</b> Adjustable Square Smart Fix
	<b>SG 10819</b> Belt return		<b>SG 10887</b> Wave extension		<b>SG 11651</b> Stud endcap 50 mm
	<b>SG 10820</b> Overlap arm		<b>SG 10905</b> Wave glider cord 80 mm		<b>SG 11652</b> Design endcap 50 mm
	<b>SG 10821</b> Overlap arm		<b>SG 10906</b> Wave glider cord 60 mm		<b>SG 11668</b> Top fix bracket
	<b>SG 10826</b> Overlap arm support		<b>SG 10923</b> Pan head screw Freedriv M4x12		<b>SG 11669</b> Fillet bracket
	<b>SG 10837</b> Pilot runner		<b>SG 10924</b> Wave glider support		<b>SG 11671</b> Plate
	<b>SG 10838</b> Pilot runner		<b>SG 11206</b> Smart Fix with slot 60 mm		<b>SG 11763</b> Groove cylinder 50 mm
	<b>SG 10840</b> 2C roller		<b>SG 11207</b> Smart Fix with slot 80 mm		<b>SG 11764</b> Glass ball 50 mm
	<b>SG 10844</b> Wave end stop		<b>SG 11208</b> Smart Fix with slot 100 mm		<b>SG 11766</b> Ball end 50 mm
	<b>SG 10845</b> Wave master carrier		<b>SG 11209</b> Adjustable Smart Fix		<b>SG 11767</b> Spear 50 mm
	<b>SG 10850</b> Profile		<b>SG 11216</b> Square Smart Fix with slot 60 mm		<b>SG 11768</b> Ellipse 50 mm
	<b>SG 10852</b> Wave 2C roller cord 80 mm		<b>SG 11217</b> Square Smart Fix with slot 80 mm		<b>SG 11769</b> Taper 50 mm
	<b>SG 10856</b> Wave extension		<b>SG 11218</b> Square Smart Fix with slot 100 mm		
	<b>SG 10869</b> Wave 2C roller cord 60 mm		<b>SG 11295</b> End stop		





## ***The Architects of Silence***

***Silent Gliss is the leading global supplier of premium interior window treatments. Since 1952 we have been tirelessly committed to the development of the world's smoothest, quietest systems using state of the art technology.***

*Driven by customer needs, Silent Gliss offers functional and durable products. Expert technical advice coupled with installation and support services complete the offer. Silent Gliss stands for innovative, sustainable, tailor made solutions, exceptional design and first-class quality.*

### **Silent Gliss Ltd.**

Pyramid Business Park  
Poorhole Lane, Broadstairs  
Kent CT10 2PT  
United Kingdom  
**T** +44 1843 863571  
**F** +44 1843 864503  
info@silentgliss.co.uk

### **Silent Gliss Global Ltd.**

Pyramid Business Park  
Poorhole Lane, Broadstairs  
Kent CT10 2PT  
United Kingdom  
**T** +44 1843 874250  
**F** +44 1843 864503  
info@silentglissglobal.com

### **Silent Gliss Blinds Trading LLC**

Office 1906  
The H Hotel Complex  
Trade Center First  
Dubai  
United Arab Emirates  
**T** +971 4 7050318  
info@silentgliss.ae

**silentgliss.co.uk**  
**silentglissglobal.com**  
**silentgliss.ae**